

PFXC1887 TWO HANDLE WALL MOUNT KITCHEN FAUCET



Product Features

- Max. flow rate: 1.8 gpm (6.8 L/min) at 60 psi
- Adjustable centers from 7" to 9"
- Ceramic disc cartridges
- Metal lever handles
- 8" spout



Optional Parts

- 1.0 GPM Aerator
- 0.5 GPM Aerator

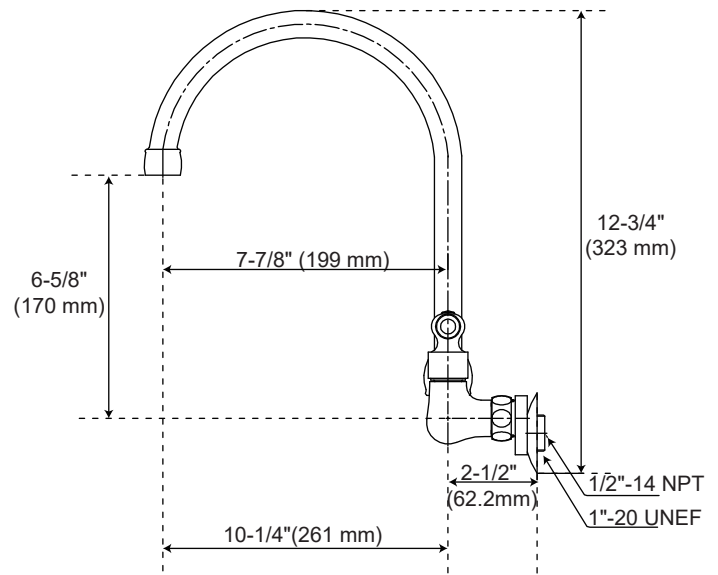
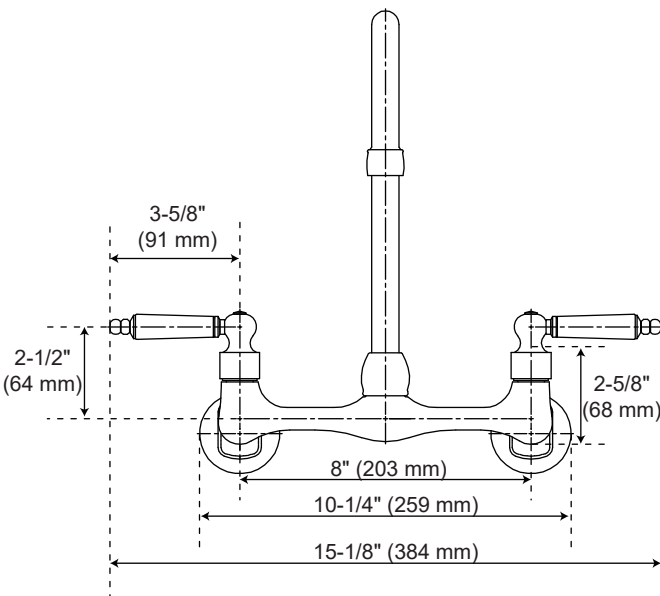
Neoperl 40.2058.000
OBPF54013605726

Codes and Certifications



- Certified to ASME A112.18.1 / CSA B125.1
- cUPC/IAPMO listed
- Handle ADA compliant
- NSF/ANSI/CAN 61: $Q \leq 1$

PFXC1887



For detailed warranty information, visit ferguson.com/proflo-faucet-warranty.