

Complete Toilet

Two-Piece Elongated ADA Toilet



Product Features

- Includes two-piece toilet combination, plastic toilet seat, wax ring and flange bolts—all in one box
- 1.28 gpf
- Siphon jet flush
- HyJetic rimless flushing design for enhanced bowl cleaning
- Vitreous china
- 17" Elongated ADA bowl
- Rough-in: 12"
- Flush valve: 3"
- Trapway: 2" fully glazed
- Water spot: 10" x 8"
- Front mounted color match trip lever
- Sanitary bar on bowl for easy cleaning

Optional Accessories/Available Parts

- PF3012FILL** Fill Valve Assembly
- PFCTFVPK** Flush Valve Assembly
- PF140990PK** White Flush Lever
- PFCT301SEAT** Elongated Toilet Seat

Codes and Certifications



- IAPMO/cUPC
- EPA WaterSense Certified
- ASME A112.19.2 / CAS B45.1
- MaP Rated 1000g
- ADA Compliant



Available Colors: White (WH)

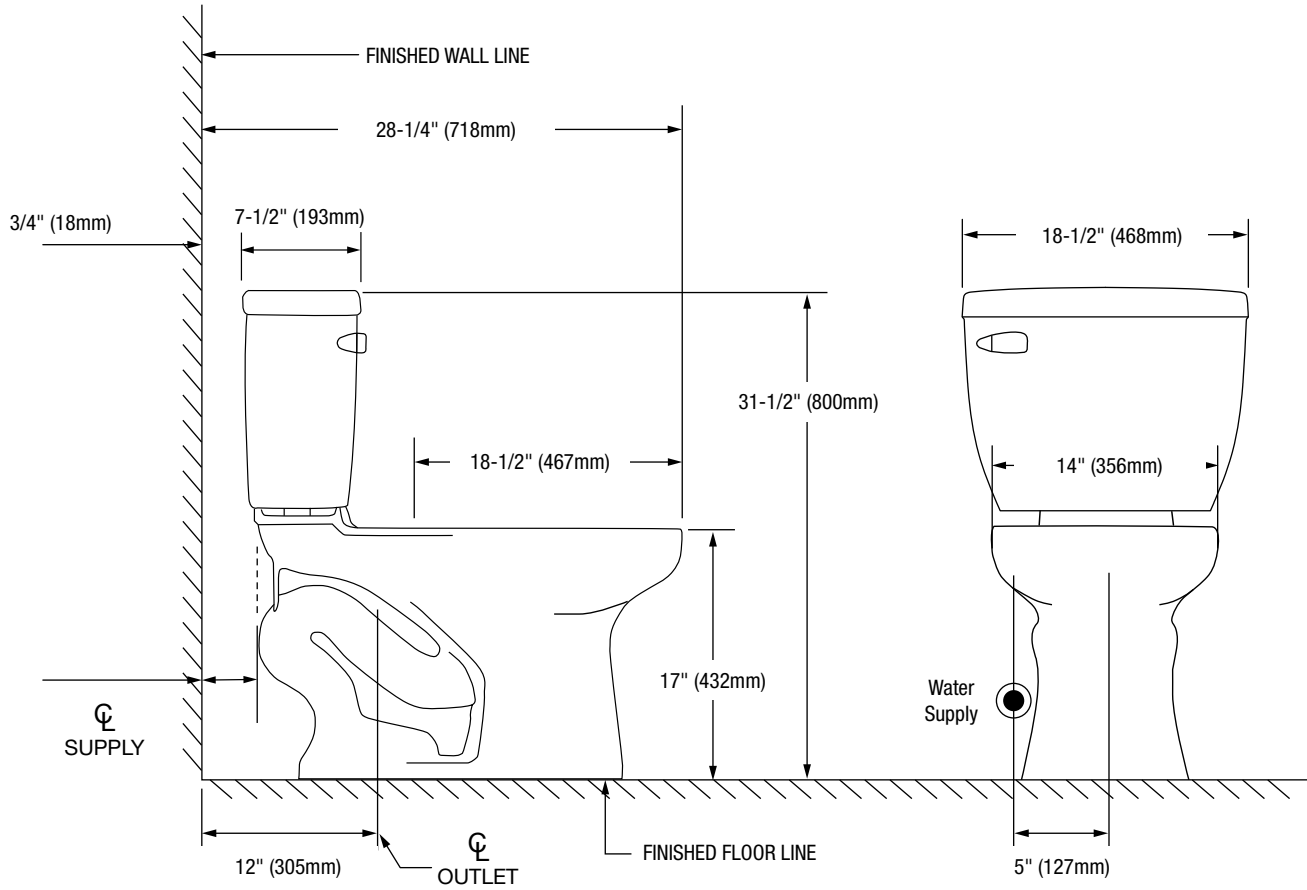
Model

PFCT303HEWH 2-Piece Elongated ADA Complete Toilet

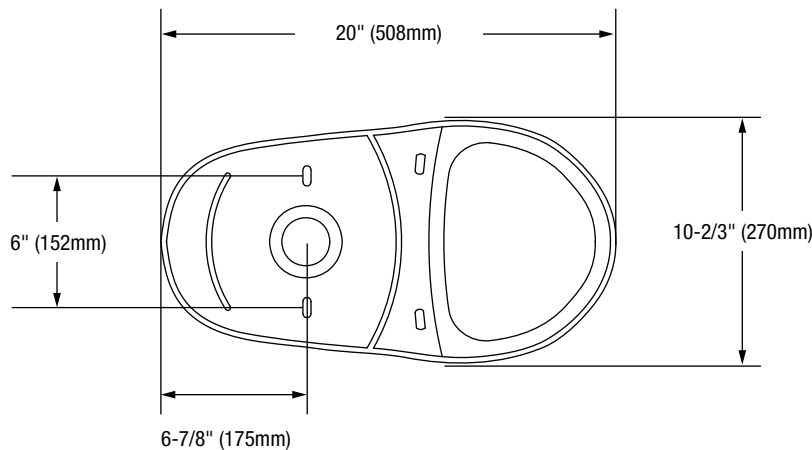
This product comes complete with installation, operating, care and maintenance instructions. All PROFLO fixtures carry a lifetime limited warranty on the vitreous china and a 5-year limited warranty on the fittings. Visit [ferguson.com/PROFLO-vitreous-china-warranty](https://www.ferguson.com/PROFLO-vitreous-china-warranty) for detailed warranty information.

Complete Toilet

Two-Piece Elongated ADA Toilet



Bowl Footprint Dimensions



Note: All dimensions and specifications are nominal and may vary: Dimensions of 8" and greater have a tolerance of +3%. Dimensions less than 8" have a tolerance of +5%.