

PF1119LF

TWO-HANDLE WALL MOUNT SERVICE SINK FAUCET



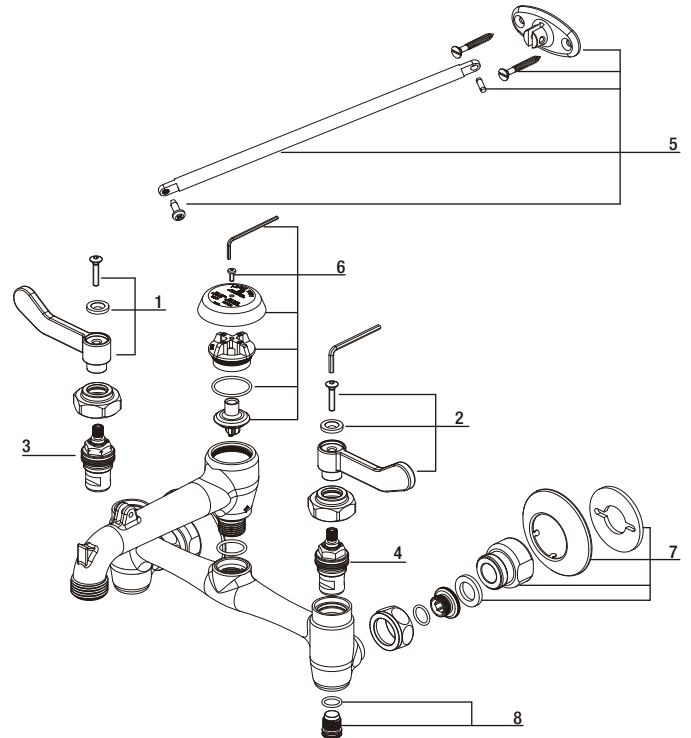
Model Numbers

PF1119LF Chrome

No.	Part	Part Number	Material Type
1	Handle - Hot	OBPF75Y0056600CP	Metal, Plastic
2	Handle - Cold	OBPF75MCOM0001CP	Metal, Plastic
3	Cartridge - Hot	OBPF25D0C000201NT7	Metal, Plastic, Ceramic
4	Cartridge - Cold	OBPF25D0C000101NT7	Metal, Plastic, Ceramic
5	Support rod with screws	OBPF19Q230301CP	Metal, Plastic
6	Vacuum breaker assembly	OBPF15Y0389200CP0	Metal, Plastic
7	Connector assembly	OBPF15Y0389300CP0	Metal, Plastic
8	Integral stop assembly	OBPF15Y0389400NT7	Metal, Plastic



PF1119LF



Warranty and Codes

This product comes complete with installation, operating, care and maintenance instructions. This PROFLO faucet carries a limited lifetime warranty when installed in residential applications. The warranty is five years in commercial applications. This product meets ANSI: A112.18.1.



NSF/ANSI/CAN 372
NSF/ANSI/CAN 61-90c1

