

PFSH384

Showerhead



Product Features

- Single function showerhead
- Brass and ABS construction
- 1/2" connection
- Max. flow rate: 1.75 gpm
- Easy clean nozzles
- cUPC / Watersense / IAPMO listed

Function



Full Spray

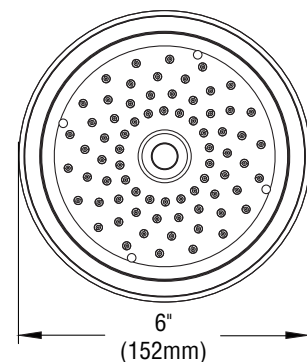
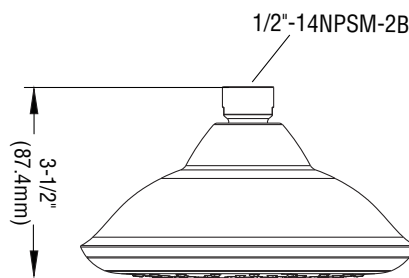


PFSH384

Model Numbers

PFSH384 Chrome
PFSH384ZBN Brushed Nickel

Product Specification



Warranty and Codes

This PROFLO product carries a limited lifetime warranty in residential applications. Warranty is 5 years in commercial applications. This product come complete with installation, operating, care and maintenance instructions. This product meets ASME: A112.18.1.

