

PFWSCM2M316

TWO HANDLE LAVATORY FAUCET

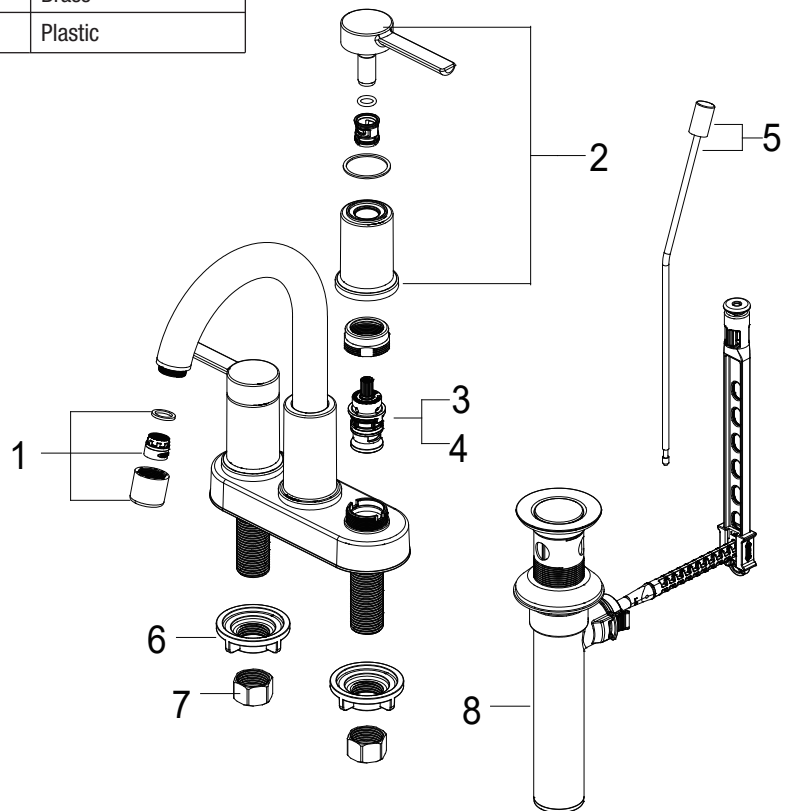


Model Numbers

PFWSCM2M316 Chrome
 PFWSCM2M316ZBN Brushed nickel

No.	Item	Part Number	Material Type
1	Aerator	F30013*	Plastic
2	Handle	F13104*	Zinc alloy
3	Cartridge H	OBPF220035	Ceramic
4	Cartridge C	OBPF220036	Ceramic
5	Lift rod & lift rod knob	RP40249*	Metal
6	Mounting nut	OBPF156001	Plastic
7	Coupling nut	OBPF156002	Brass
8	Pop-up assembly less lift rod	OBPF9F40003*	Plastic

PFWSCM2M316



Warranty and Codes

This product comes complete with installation, operating, care and maintenance instructions. This PROFLO faucet carries a limited lifetime warranty when installed in residential applications. The warranty is five years in commercial applications. Certified to ASME A112.18.1.
 *Compliant with lead content requirements of California AB1953

