

# PFWSCM1M313

## SINGLE HANDLE LAVATORY FAUCET

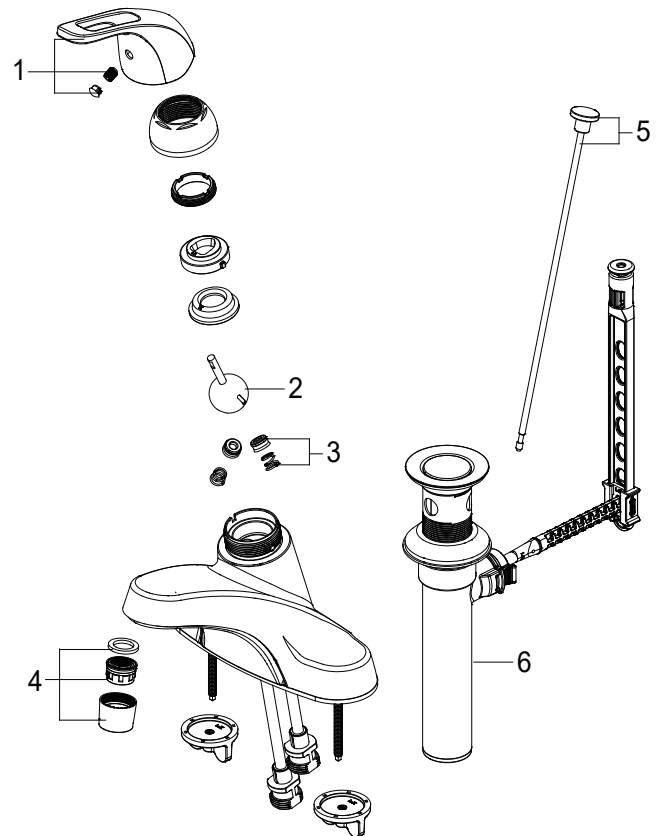


### Model Numbers

PFWSCM1M313 Chrome  
 PFWSCM1M313ZBN Brushed nickel

No.	Item	Part Number	Material type
1	Handle	F13103*	Zinc alloy
2	Cartridge	OBPF222007	Steel
3	Seat & Spring	OBPF222008	NBR
4	Aerator	OBPF530190*	Plastic
5	Pop-up Assembly Less Lift Rod	OBPF9F40003*	Plastic
6	Lift Rod & Lift Rod Knob	RP40263*	Metal

PFWSCM1M313



### Warranty and Codes

This product comes complete with installation, operating, care and maintenance instructions. This PROFLO faucet carries a limited lifetime warranty when installed in residential applications. The warranty is five years in commercial applications. Certified to ASME A112.18.1.  
 \*Compliant with lead content requirements of California AB1953



NSF/ANSI/CAN 372  
 NSF/ANSI/CAN 61-8 Qs1

