

SPEC

## PFWSCM1M312

# GUSTIN SINGLE-HANDLE LAVATORY FAUCET



### Product Features

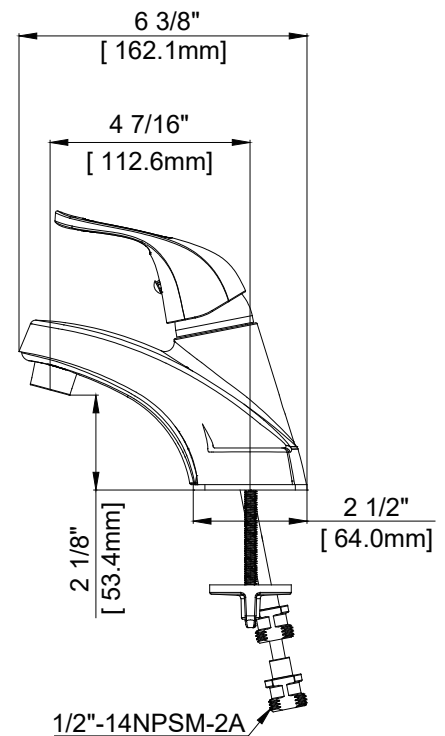
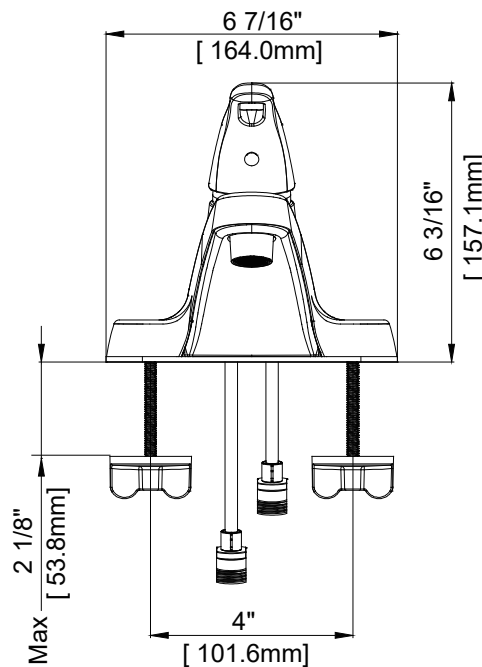
- Washerless cartridge
- Metal handle
- Requires 3-hole sink with 4" on-center
- Max flow rate: 1.2 gpm at 60 psi
- ADA compliant
- Certified to ASME A112.18.1 / CSA B125.1
- cUPC/IAPMO listed
- NSF/ANSI/CAN61: Q ≤ 1
- WaterSense certified
- AB1953 certified

### Model Numbers

PFWSCM1M312      Chrome



PFWSCM1M312



### Warranty and Codes

This product comes complete with installation, operating, care and maintenance instructions. This PROFLO faucet carries a limited lifetime warranty when installed in residential applications. The warranty is five years in commercial applications.

\*Compliant with lead content requirements of California AB1953



NSF/ANSI/CAN 372  
NSF/ANSI/CAN 61-9 Q≤1



Distributed Exclusively by Ferguson and Wolseley Canada  
©2023 Ferguson Enterprises, LLC. All Rights Reserved.

[FERGUSON.COM/PROFLO](https://www.ferguson.com/proflo)

03/30/23 Rev.A