

PFBKIT03

COLLISTON TWO-HANDLE LAVATORY FAUCET AND BATH ACCESSORY KIT



Model Numbers

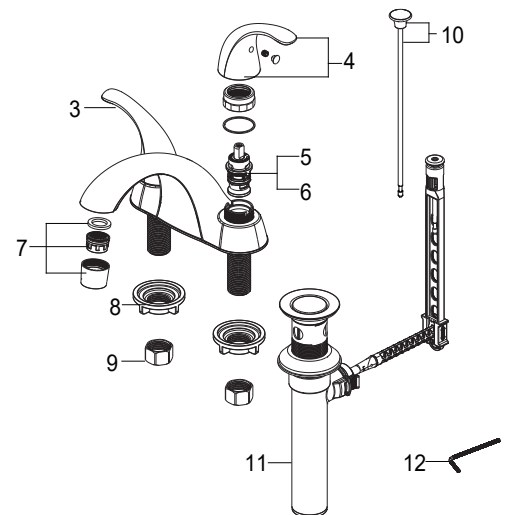
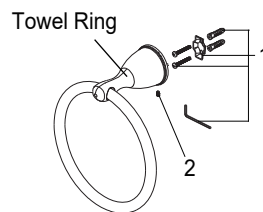
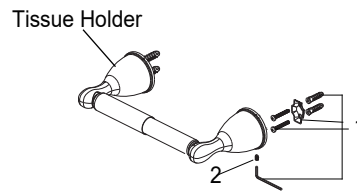
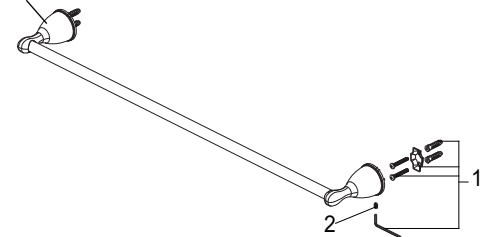
PFBKIT03 Chrome
 PFBKIT03ZBN Brushed Nickel

No.	Item	Part Number	Material Type
1	Mounting Hardware (Wood Screw, Mounting Bracket, Hex Wrench, and Plastic Anchor)	OBPF13111	Metal
2	Set Screw	OBPF13111	Metal
3	Handle H	OBPF7F13101*	Zinc Alloy
4	Handle C	OBPF7F13102*	Zinc Alloy
5	Cartridge H	OBPF220067	Ceramic
6	Cartridge C	OBPF220068	Ceramic
7	Aerator	OBPF530190*	Plastic
8	Mounting Nut	OBPF156001	Plastic
9	Coupling Nut	OBPF156002	Brass
10	Lift Rod & Lift Rod Knob	OBPF9RP40203*	Metal
11	Pop-up Assembly Less Lift Rod	OBPF9F40003*	Plastic
12	2.5mm Hex Allen Wrench	OBPF1RP70221	Steel



PFBKIT03

24in Towel Bar



Warranty and Codes

This product comes complete with installation, operating, care and maintenance instructions. This PROFLO faucet carries a limited lifetime warranty when installed in residential applications. The warranty is five years in commercial applications. Certified to ASME A112.18.1.

*Compliant with lead content requirements of California AB1953



NSF/ANSI/CAN 372
 NSF/ANSI/CAN 61-8 Qs1

