

**PFLT1720D**



# Single Basin Laundry Sink

## Product Features

- Created from Sheet Molding Compound (SMC)—a plastic composite containing filler, fire retardant, thickener and mold release that have been mixed and molded under extreme heat and pressure, creating a laundry tub with unparalleled strength
- Available in white only
- Drain size: 3-1/2"
- Self-rimming design
- Internal basin depth: 9-1/2"
- Water capacity is six (6) gallons

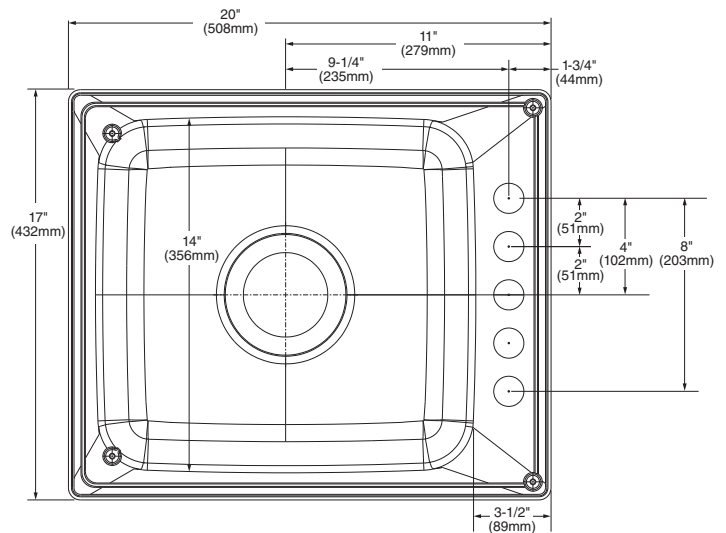
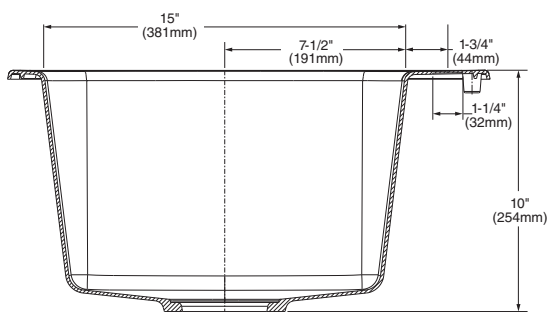


**PFLT1720D**

## Model Number

**PFLT1720D** 17" x 20" Drop-In Laundry Sink

## Product Specifications



## Warranty and Codes

This product comes complete with installation, operating, care and maintenance instructions. All PROFLO laundry sinks carry a 1-year limited warranty. In an effort to continually improve our products, we will make design changes from time to time. We reserve the right to ship newly designed product to fill any order unless we agree in writing to do otherwise.

