

HALLINAN

PFXC6517

SINGLE HANDLE KITCHEN FAUCET



Product Features

- Max. flow rate: 1.5 gpm (5.67L/min) at 60 psi
- Metal lever handle
- Ceramic Disc Cartridges
- 1 or 3 hole installation
- Quick-mount system
- Optional deck plate included
- Two-function sprayer: stream and aerated spray

Optional Accessories/Available Parts

OBPF156096 Metal mounting nut

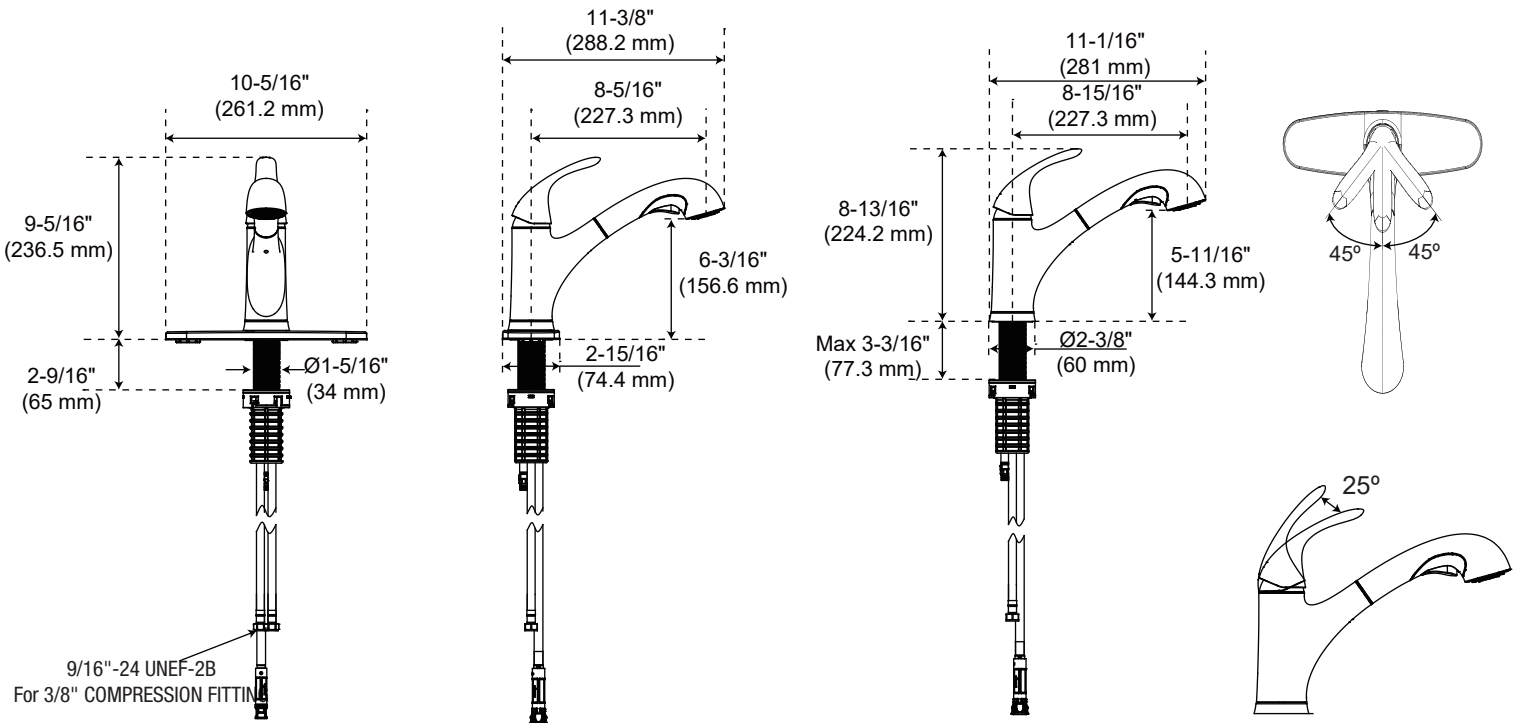
Codes and Certifications



- Certified to ASME A112.18.1 / CSA B125.1
- cUPC/IAPMO listed
- Handle ADA compliant
- NSF/ANSI/CAN61: $Q \leq 1$
- Cal Green - and LEEDv4.1



PFXC6517



For detailed warranty information, visit ferguson.com/proflo-faucet-warranty.