

# PFXC6517 HALLINAN SINGLE-HANDLE KITCHEN FAUCET



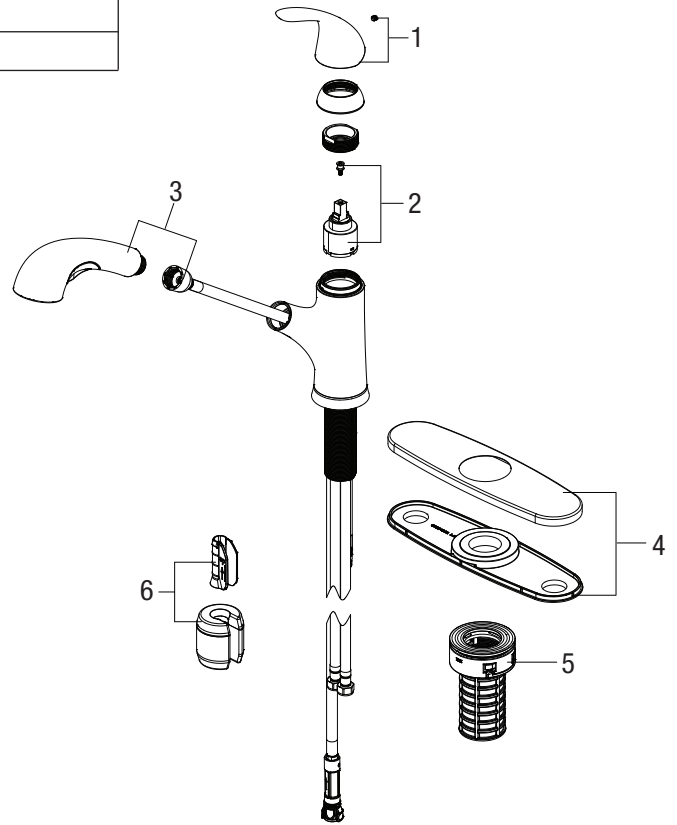
**Model Numbers**

PFXC6517CP            Chrome  
PFXC6517ZBN        Brushed Nickel

No.	Item	Part Number	Material Type
1	Handle	OBPF7KF13095*	Zinc Alloy
2	Cartridge & Screw	OBPF20109	Ceramic
3	Spray Head	OBPF6F38029*	ABS
4	Escutcheon	OBPF1F80055*	Metal
5	Quick Install Nut	OBPF156096	Plastic
5	Weight	OBPF1F70022A	Steel



PFXC6517CP



**Warranty and Codes**

This product comes complete with installation, operating, care and maintenance instructions. This PROFLO faucet carries a limited lifetime warranty when installed in residential applications. The warranty is five years in commercial applications. Certified to ASME A112.18.1.  
\*Compliant with lead content requirements of California AB1953.

