

PFWSC1247A

TWO-HANDLE LAVATORY FAUCET



Product Features

- Flow rate: 1.2 GPM (4.54 L/min) at 60 PSI
- Metal handles
- Washerless cartridges
- With quick install pop-up assembly
- Requires 3-hole sink with 4" on-center

Optional Parts

1.0 GPM Aerator	Neoperl 40.2058.000
0.5 GPM Aerator	OBPF530223*
Thick Deck Extension Kit	OBPF1A66D619N
DrainLift Rod Extension	PF352NA
Drain Horizontal Pivot Rod Extension	OBPF40018

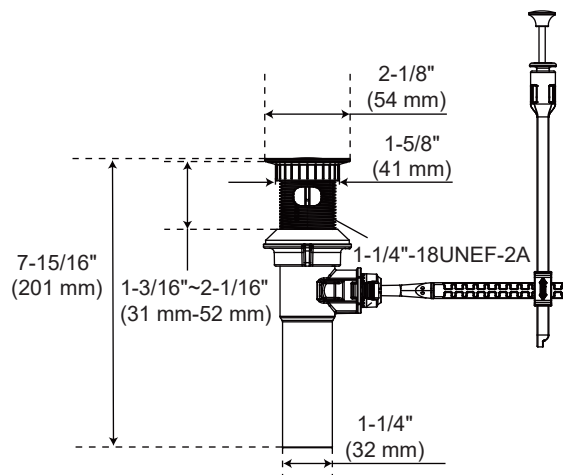
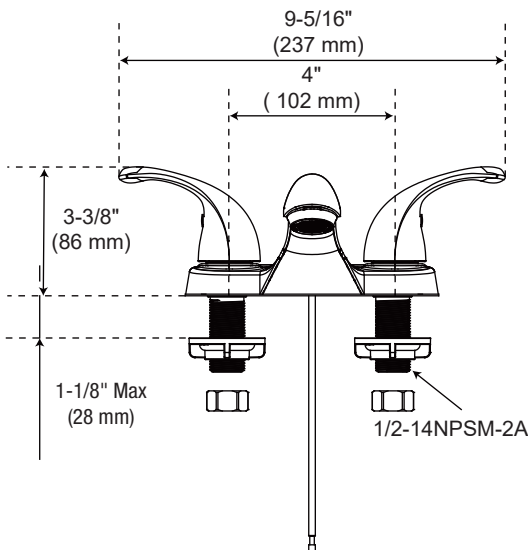
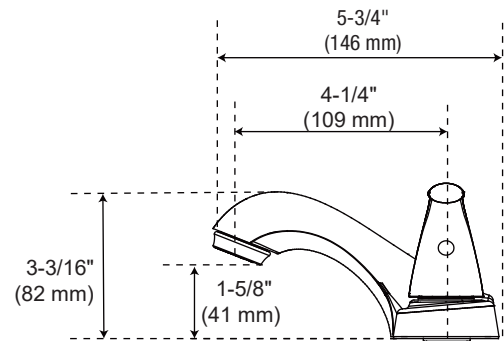


PFWSC1247A

Codes and Certifications



- Certified to ASME A112.18.1 / CSA B125.1
- cUPC/IAPMO listed
- Handle ADA compliant
- EPA WaterSense certified
- NSF/ANSI/CAN61: Q ≤1



For detailed warranty information, visit ferguson.com/proflo-faucet-warranty.