

Specifications



PF7911G SINGLE HANDLE TUB AND SHOWER TRIM KIT

Product Features

- Trim only
- Metal lever handle
- Single-function showerhead
- Easy-clean rubber nozzles
- Max. flow rate 1.75 gpm at 80 psi
- With slip fit tub spout
- Required valve - ACCUFIT PF4001 series

Optional Parts

Valve Extension Kit ACF4001EXT

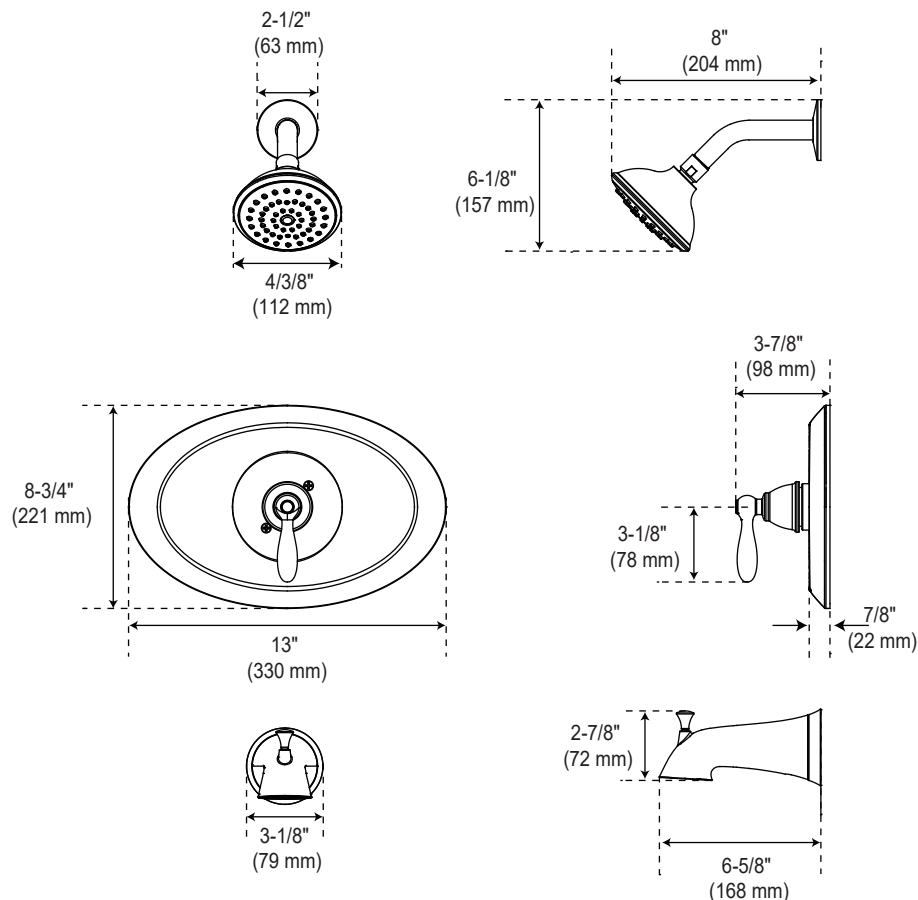
Codes and Certifications



- Certified to ASME A112.18.1 / CSA B125.1
- Handle ADA compliant
- WaterSense Certified



PF7911GCP



For detailed warranty information, visit ferguson.com/proflo-faucet-warranty.