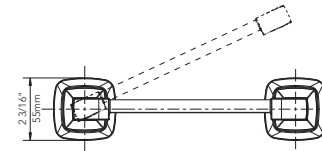
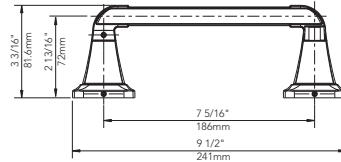
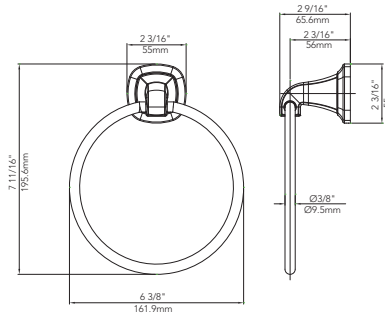
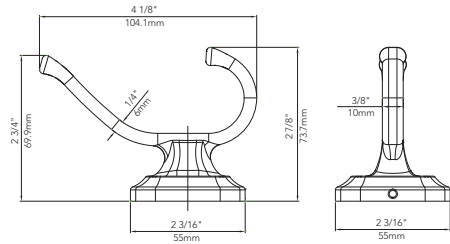
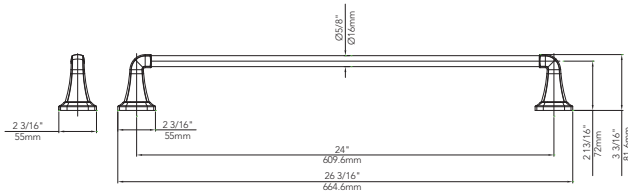


**10076206, 10076205, 10076200, 10076199, 10076202, 10076201,
10076204, 10076203**

CASSADORE BATH ACCESSORIES

FEATURES:

- Metal construction
- Mounting hardware included



Key Code	SKU	Size	Color/Finish
10076206	PF2997ZBN	24" Towel Bar	PVD Brushed Nickel
10076205	PF2997MB	24" Towel Bar	Matte Black
10076200	PF2937ZBN	Pivot Tissue Holder	PVD Brushed Nickel
10076199	PF2937MB	Pivot Tissue Holder	Matte Black
10076202	PF2947ZBN	Robe Hook	PVD Brushed Nickel
10076201	PF2947MB	Robe Hook	Matte Black
10076204	PF2957ZBN	Towel Ring	PVD Brushed Nickel
10076203	PF2957MB	Towel Ring	Matte Black

WARRANTY & CODES:

This product comes complete with installation, operating, care and maintenance instructions. This product carries a limited lifetime warranty when installed in residential applications. The warranty is five years in commercial applications.