

Specifications

PFSH325 series

Castile Waterfall Showerhead



Product Features

- Seven-function showerhead: massage, spray / massage, spray, waterfall, mist, inner spray, trickle
- Brass and ABS construction
- Maximum flow rate 1.75 gpm (6.6 L/min) at 80 psi
- Unique waterfall feature
- Easy-to-clean nozzles
- 1/2" NPT connection
- cUPC/ WaterSense /IAPMO listed

Functions

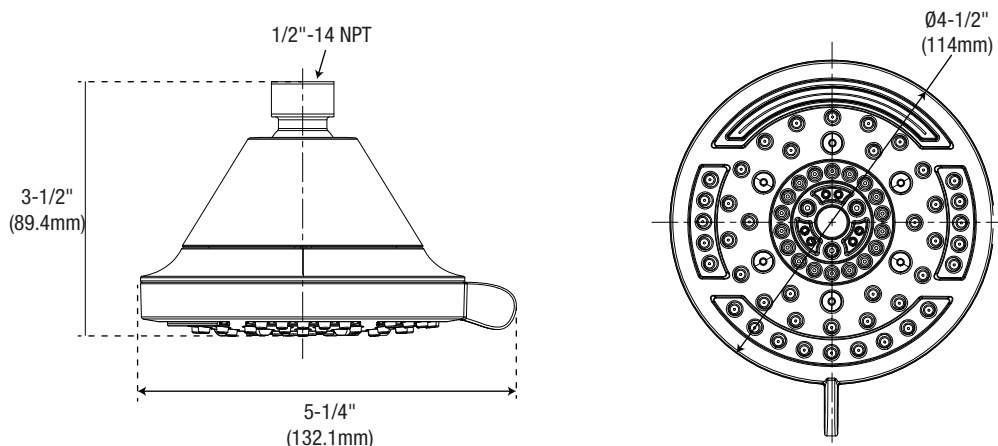


PFSH325CP

Model Numbers

PFSH325CP	Chrome
PFSH325ZBN	PVD brushed nickel
PFSH325MB	Matte black

Product Specifications



* All measurements are nominal. Please verify before actual installation.

Warranty and Codes

This product comes complete with installation, operating, care and maintenance instructions.
Limited lifetime warranty, 5 years in commercial applications.
This product meets ANSI: A112.18.1 / CSA: B125.1.

©2023 Ferguson Enterprises, LLC. FG 07/2023



FERGUSON.COM/PROFLO