

## Specifications

### PFXU408

# TWO HANDLE COMMERCIAL WIDESPREAD FAUCET



### Product Features

- Heavy duty 6"-16" cast brass undermount faucet
- Flow rate: 1.5 GPM aerator
- Non-swivel spout
- ADA wrist blade handles with color indexed caps
- Ceramic disc cartridges with brass stems
- Polished chrome
- Complies with ASME:A112.18.1/CSA:B125.1
- NSF61 compliant
- cUPC/IAPMO Listed

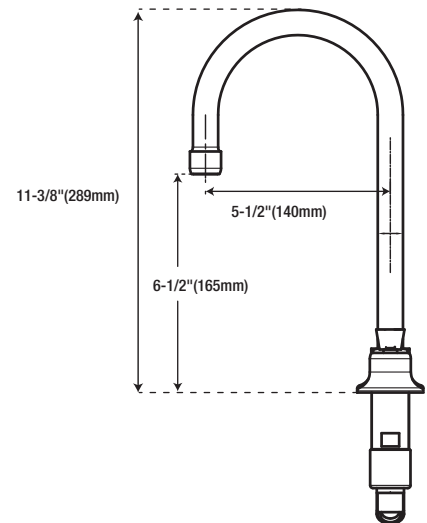
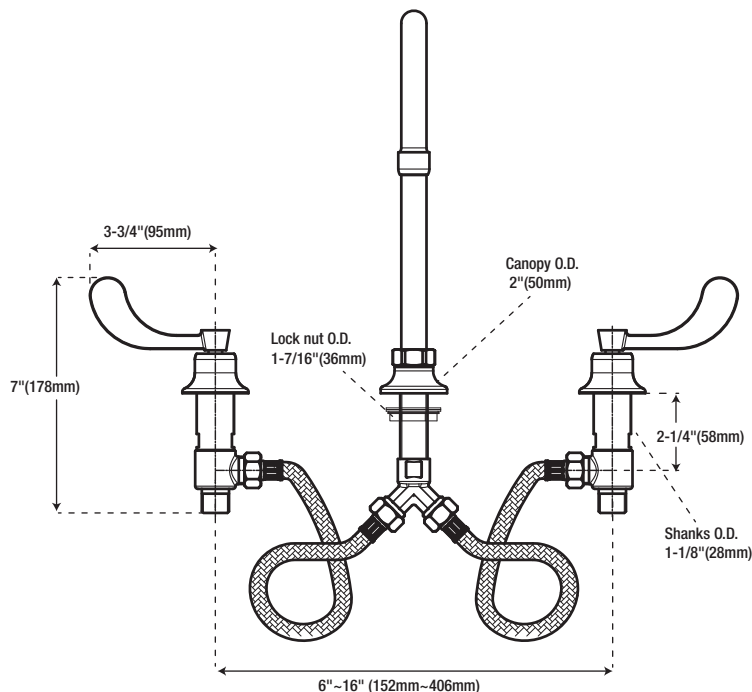
### Optional Parts

OBPF7K4020321126 Optional lever handles (hot & cold)



PFXU408

### Product Specifications



NOTE: All dimensions and specifications are nominal and may vary  $\pm 1/4"$ . Use actual products for accuracy in critical situations.

### Warranty and Codes

This product comes complete with installation, operating, care and maintenance instructions. This PROFLO faucet carries a limited lifetime warranty when installed in residential applications. The warranty is five years in commercial applications. This product meets ASME: A112.18.1. \*Compliant with lead content requirements of US Senate Bill S.3874.

