

Specifications

PFMB2424S & PFMB3624S

Mop Basin



Product Features

- Molded, high-density composite basin
- Stainless steel drain body
- Stainless steel strainer, gasket and lint basket included with basin
- 36" Model includes integrally molded, self-draining mop shelf
- Designed to connect to 3" PVC drain pipe
- 10" Deep

Model Numbers

- PFMB2424S** 24" x 24" Mop service basin with stainless steel drain
PFMB3624S 36" x 24" Mop service basin with stainless steel drain

Available Parts

- PFMBSSDRN** 3" Stainless steel strainer and gasket for PFM2424S & PFMB3624S
PFBG24S 24" Stainless steel bumper guard
PFBG24V 24" Vinyl bumper guard
PFBG36S 36" Stainless steel bumper guard
PFBG36V 36" Vinyl bumper guard
PFWG24S 24" Stainless steel wall guard set (Wall guard height: 12")
PFWG36S 36" Stainless steel wall guard set (Wall guard height: 12")
PF245 Mop hanger
PFSSHE Service hose
PF296 Service hose bracket
PFMB3SNS QDC3SN. Gasket for 3" soil pipe
– For use with PFMB2424S and PFMB3624S
PFMB3XS QDC3XH. Gasket for 3" PVC pipe
– For use with PFMB2424S and PFMB3624S
PFMBQD QDC32. 3" x 2" pipe reducer gasket for 2" pipe
– For use with PFMB2424S and PFMB3624S



PFMB2424S



PFMB3624S shown with PFWG36S

Warranty and Codes

These products come complete with installation, operating, care and maintenance instructions. All PROFLO basins carry a 1-year limited warranty. These products meet or exceed ANSI Z124.2. In an effort to continually improve our products, we will make design changes from time to time. We reserve the right to ship newly designed product to fill any order unless we agree in writing to do otherwise.



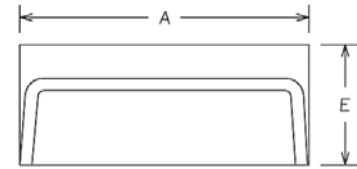
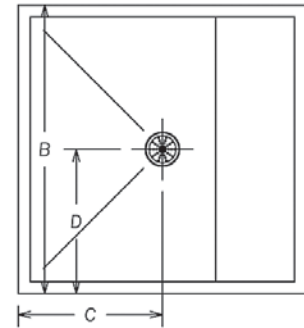
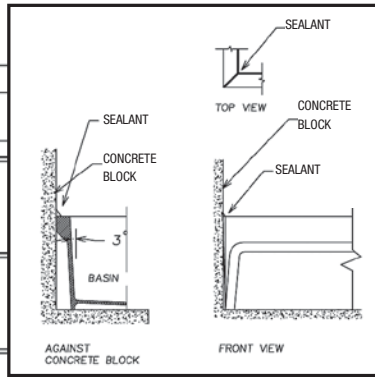
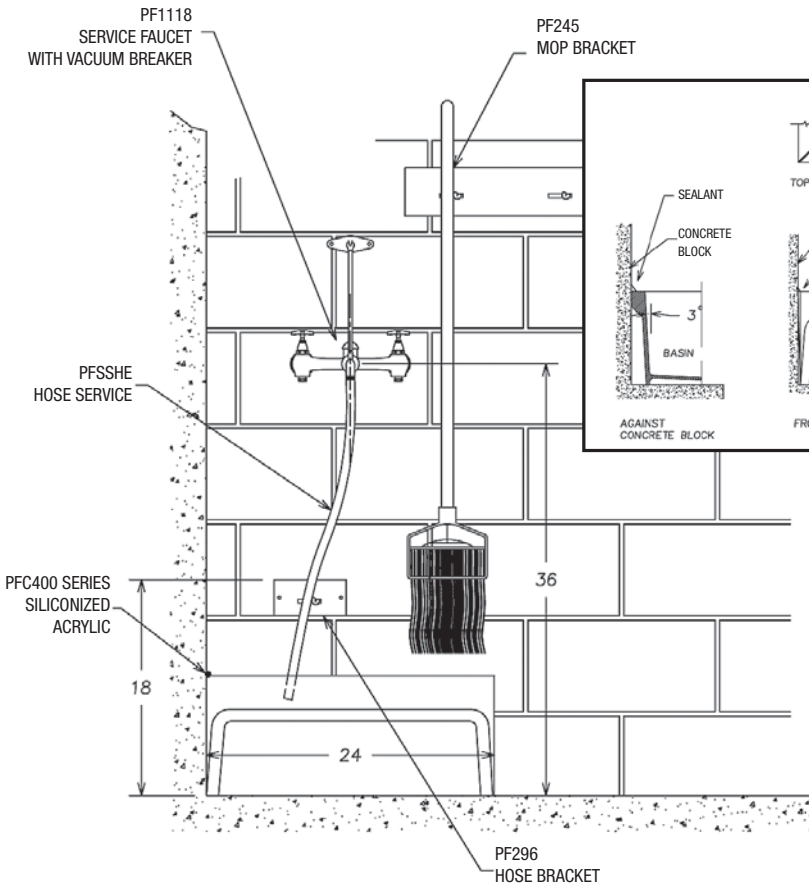
Specifications

PFMB2424S & PFMB3624S

Mop Basin

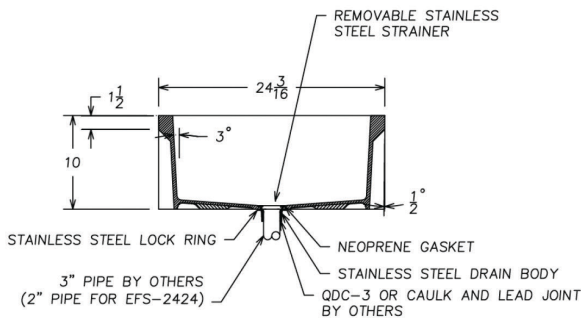


Suggested Installation

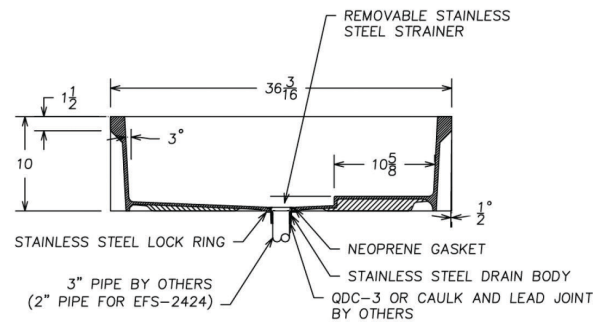


MODEL NO.	A	B	C	D	E
PFMB2424S	24-3/16"	24-3/16"	12"	12"	10"
PFMB3624S	36-3/16"	24-3/16"	18"	12"	10"

Rough-In Details Front View



PFMB2424S



PFMB3624S

