



Acrylic Shower Floors Hammond Series

Product Features

- Acrylic construction
- Integral tile flange
- 1-piece construction
- Slip-resistant surface

Product Offering

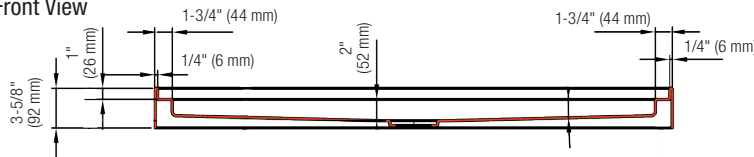
Part Number	Size	Drain Location
PFSBA3636WH	36" x 36"	Center
PFSBA4234WH	42" x 34"	Center
PFSBA4242WH	42" x 42"	Center
PFSBA4832WH	48" x 32"	Center
PFSBA4834WH	48" x 34"	Center
PFSBA4836WH	48" x 36"	Center
PFSBA6030LWH	60" x 30"	Left
PFSBA6030RWH	60" x 30"	Right
PFSBA6032LWH	60" x 32"	Left
PFSBA6032RWH	60" x 32"	Right
PFSBA6034WH	60" x 34"	Center
PFSBA6036WH	60" x 36"	Center
PFSBA6042WH	60" x 42"	Center
PFSBA6436ADAWH	64" x 36"	Center
PFSBA3838NEOWH	38" x 38" Neo-Angle	Center
PFSBA4242NEOWH	42" x 42" Neo-Angle	Center

ADA wheelchair symbol: Signifies ADA complaint

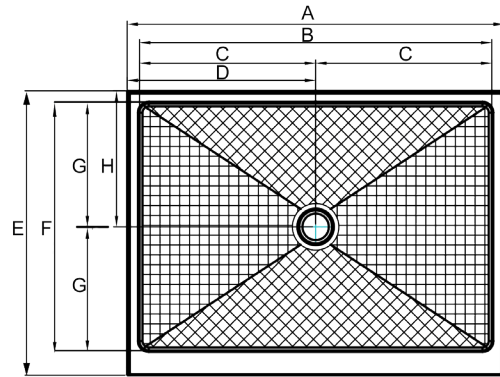
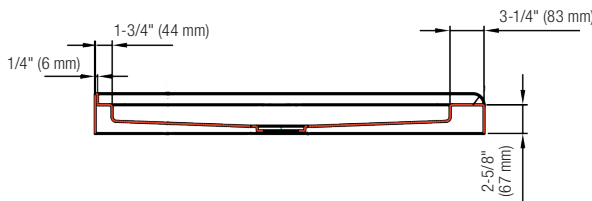


Center Drain Base Dimensions

Front View



Side View



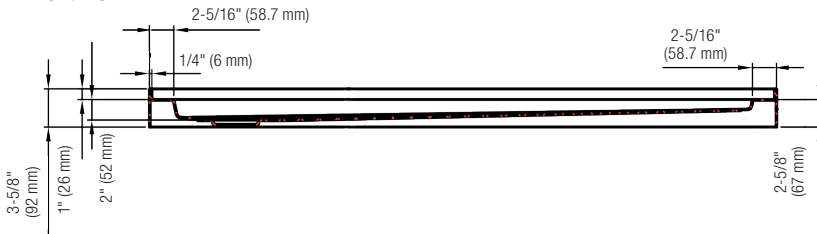
Part #	Size	A	B	C	D	E	F	G	H
PFSBA3636WH	36" x 36"	35-7/8"	32-3/8"	16-3/16"	17-15/16"	35-7/8"	30-7/8"	15-7/16"	17-3/16"
PFSBA4234WH	42" x 34"	41-7/8"	38-7/16"	19-1/4"	20-15/16"	33-7/8"	28-7/8"	14-7/16"	16-3/16"
PFSBA4242WH	42" x 42"	41-7/8"	38-7/16"	19-1/4"	20-15/16"	41-7/8"	36-7/8"	18-5/16"	20-3/16"
PFSBA4832WH	48" x 32"	47-7/8"	44-7/16"	22-3/16"	23-15/16"	31-7/8"	26-7/8"	13-7/16"	15-3/16"
PFSBA4834WH	48" x 34"	47-3/4"	44-1/4"	22-1/8"	23-7/8"	33-3/4"	28-3/4"	14-3/4"	16-1/8"
PFSBA4836WH	48" x 36"	47-3/4"	44-1/4"	22-1/8"	23-7/8"	35-7/8"	30-7/8"	15-7/16"	17-3/16"
PFSBA6034WH	60" x 34"	59-7/8"	56-3/8"	28-3/16"	29-15/16"	33-7/8"	28-7/8"	14-7/16"	16-3/16"
PFSBA6036WH	60" x 36"	59-7/8"	56-3/8"	28-3/16"	29-15/16"	35-7/8"	30-7/8"	15-7/16"	17-3/16"
PFSBA6042WH	60" x 42"	59-7/8"	56-3/8"	28-3/16"	29-15/16"	41-7/8"	36-7/8"	18-5/16"	20-3/16"



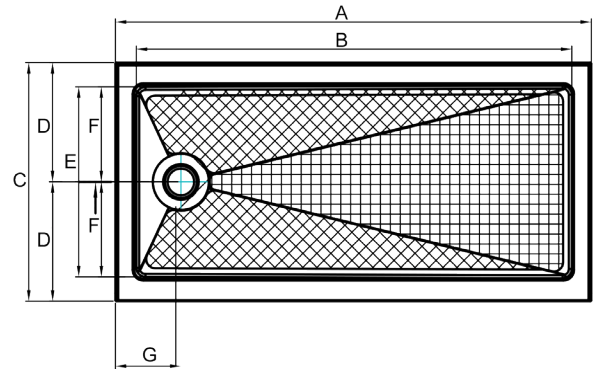
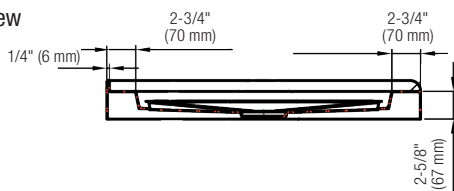
Acrylic Shower Floors Hammond Series

Left/Right* Drain Base Dimensions

Front View



Side View



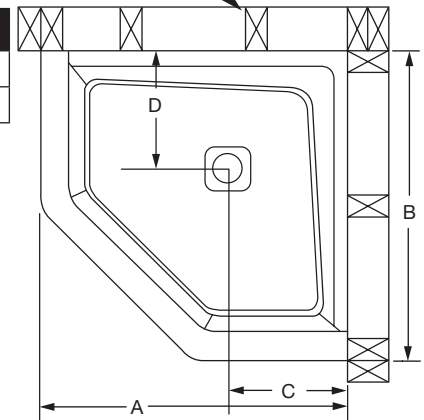
* Left hand model shown. Right hand model is exact opposite.

Part #	Drain Location	Size	A	B	C	D	E	F	G
PFSBA6030LWH	Left	60" x 30"	59-7/8"	55-1/4"	30"	15"	24-1/2"	12-1/4"	8-1/4"
PFSBA6030RWH	Right	60" x 30"	59-7/8"	55-1/4"	30"	15"	24-1/2"	12-1/4"	8-1/4"
PFSBA6032LWH	Left	60" x 32"	59-7/8"	55-1/4"	31-7/8"	15-15/16"	26-3/8"	13-3/16"	8-1/4"
PFSBA6032RWH	Right	60" x 32"	59-7/8"	55-1/4"	31-7/8"	15-15/16"	26-3/8"	13-3/16"	8-1/4"

Neo-Angle Base Dimensions

Part #	Drain Location	Size	A	B	C	D
PFSBA3838NEOWH	Center	38" x 38"	37-1/2"	37-1/2"	12"	12"
PFSBA4242NEOWH	Center	42" x 42"	42"	42"	12"	12"

Space studs on fitting wall to provide room to install control valves and water supply pipes.



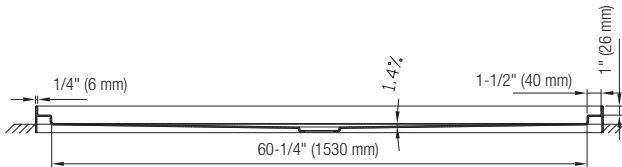
Specifications

Acrylic Shower Floors Hammond Series

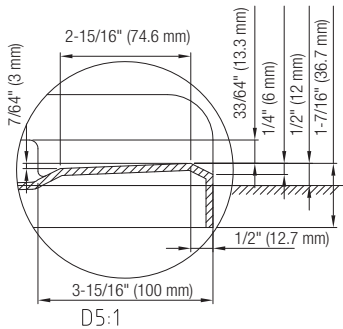
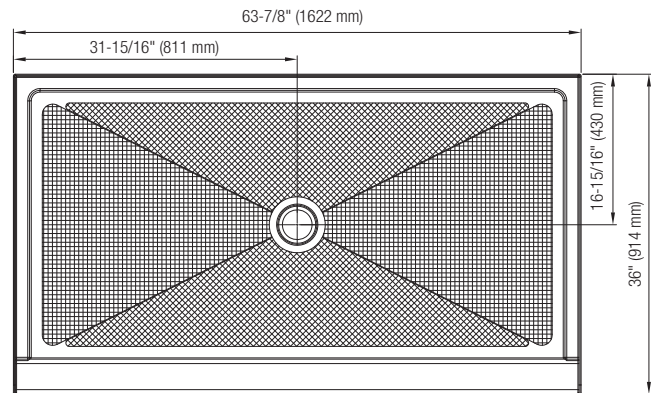
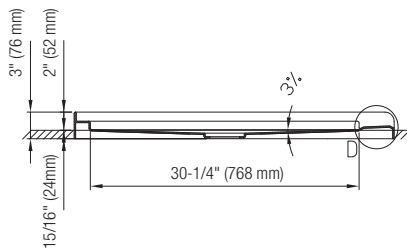


ADA Shower Base: PFSBA6436ADAWH

Front View



Side View



Warranty and Codes

These products come complete with installation, operating, care and maintenance instructions. All PROFLO shower floors carry a 1-year limited warranty. These products meet or exceed ANSI Z124.2-95. In an effort to continually improve our products, Ferguson will make design changes from time to time. We reserve the right to ship newly designed product to fill any order unless we agree in writing to do otherwise.

Note: All dimensions and specifications are nominal and may vary $\pm 1/4"$. Use actual products for accuracy in critical situations.