

SPIERS

PFWSC3950 SINGLE-HOLE BATHROOM FAUCET



Product Features

- Flow rate: 1.2 gpm (4.54 L/min) at 60 psi
- Metal lever handle
- Ceramic disc cartridges
- Pop-up bathroom sink drain – with overflow
- Single-hole installation

Optional Parts

- 0.5 GPM Aerator:** Neoperl 43.2259.01000
- 1.0 GPM Aerator:** Neoperl 43.2258.01000
- OBPF11131102610*** Deck plate

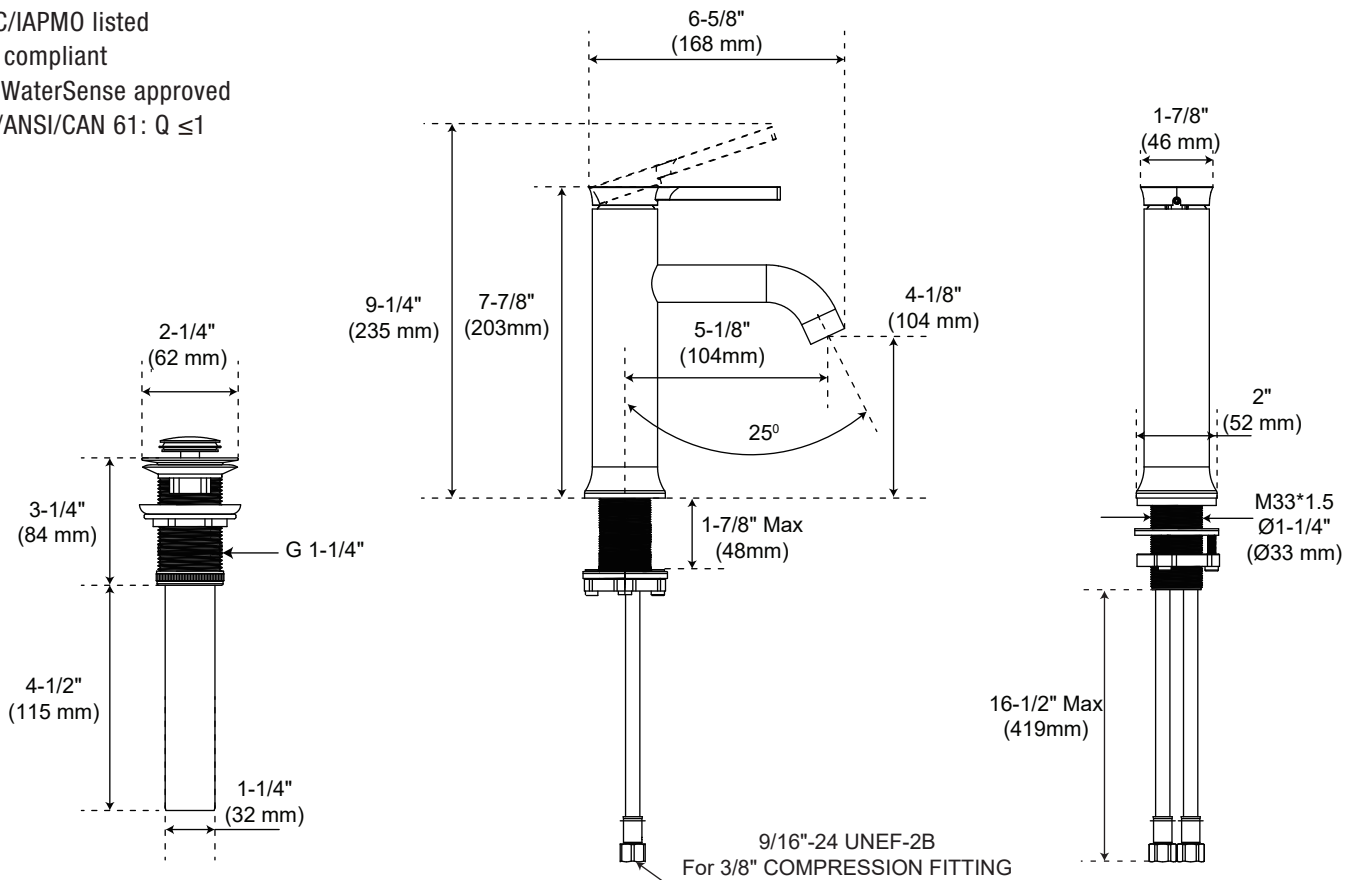


Codes and Certifications



- Certified to ASME A112.18.1 / CSA B125.1
- cUPC/IAPMO listed
- ADA compliant
- EPA WaterSense approved
- NSF/ANSI/CAN 61: Q ≤1

PFWSC3950



For detailed warranty information, visit ferguson.com/proflo-faucet-warranty.