

Specifications

PFWSC2950 CASSADORE SINGLE-HOLE BATHROOM FAUCET



Product Features

- Ceramic cartridge
- Metal lever handle
- With brass pop-up
- Single-hole installation
- Max. flow rate 1.2 gpm (4.54 L/min) at 60 psi
- Meets ASME A112.18.1
- NSF 61 compliant
- cUPC/IAPMO listed
- ADA Compliant

Model Numbers:

- PFWSC2950CP Chrome
- PFWSC2950ZBN Brushed nickel

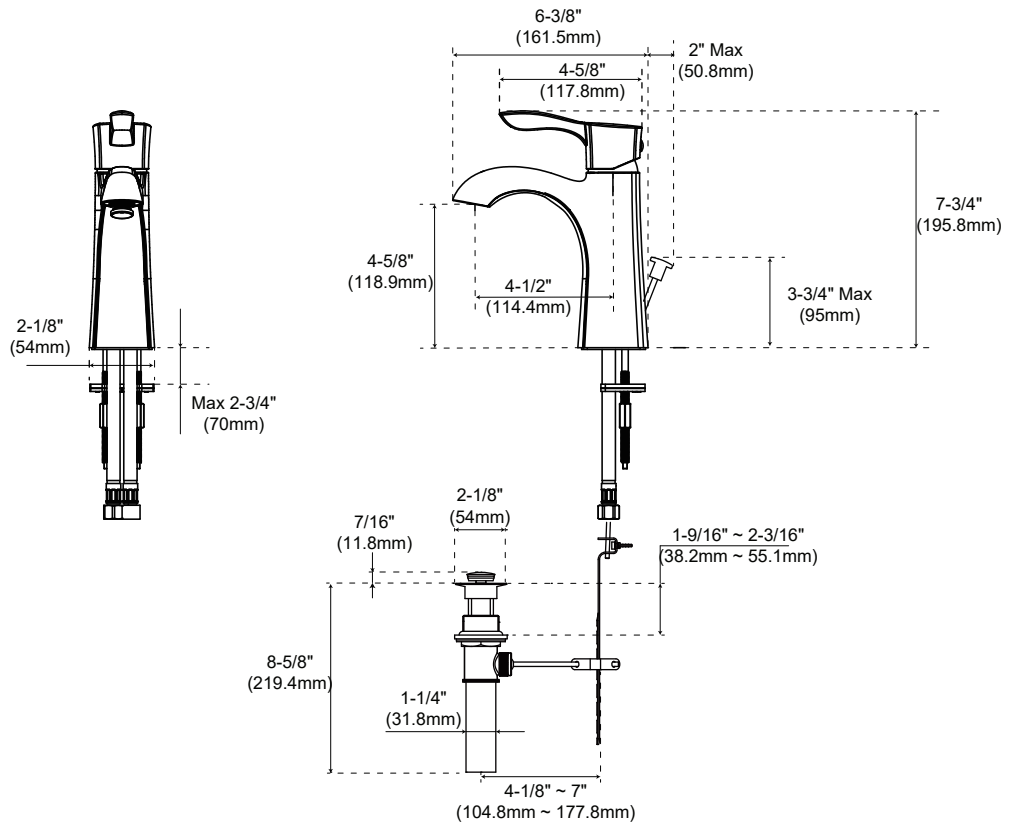


PFWSC2950CP

Optional Parts

- OBPF11131102610* Deck plate

Product Specifications



* All measurements are nominal. Please verify before actual installation.

Warranty and Codes

This product comes complete with installation, operating, care and maintenance instructions. This PROFLO faucet carries a limited lifetime warranty when installed in residential applications. The warranty is five years in commercial applications. This product meets ASME: A112.18.1. *Compliant with lead content requirements of US Senate Bill S.3874*

