



PFWSC2950 CASSADORE SINGLE-HOLE BATHROOM FAUCET

Model Numbers:

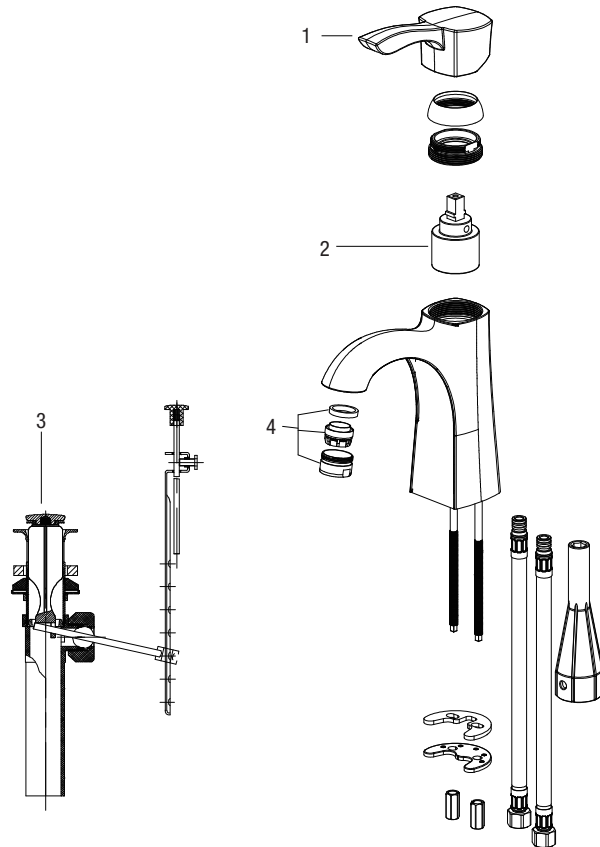
- PFWSC2950CP Chrome
- PFWSC2950ZBN Brushed nickel

No.	Item	Part Number	Material Type
1	Handle	OBPF71131103810*	Zinc Alloy
2	Cartridge	OBPF220007040048	Plastic
3	Drain	OBPF91131200300*	Brass+ Plastic
4	Aerator	OBPF5253516508021	Plastic

* Specify Finish



PFWSC2950CP



Warranty and Codes

This product comes complete with installation, operating, care and maintenance instructions. This PROFLO faucet carries a limited lifetime warranty when installed in residential applications. The warranty is five years in commercial applications. This product meets ASME: A112.18.1. Compliant with lead content requirements of US Senate Bill S.3874

