

PFWSCM1M1097

GERALD Single Handle Lavatory Faucet



Model Numbers

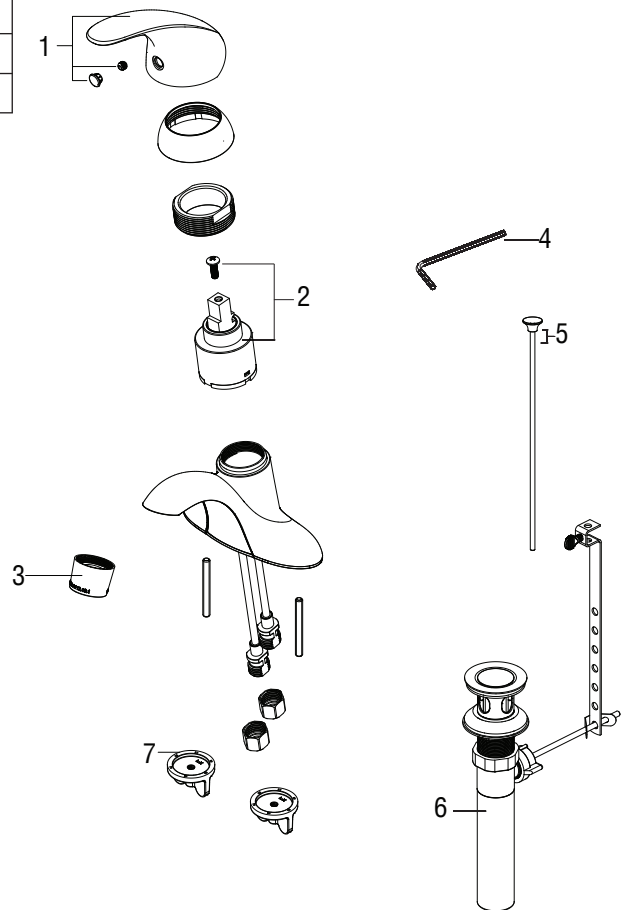
PFWSCM1M1097 Chrome MPID#:7286083
 PFWSCM1M1097ZBN Brushed nickel MPID#:7286094

No.	Item	Part Number	Material Type
1	Handle	OBPF713536*	Zinc Alloy
2	Cartridge	OBPF220094	Ceramic
3	Aerator	OBPF530190*	Plastic
4	2.5mm Hex allen wrench	OBPF1RP70221	Steel
5	Lift rod & Lift Rod knob	OBPF940006*	Steel
6	Pop-up Assembly Less Lift Rod	OBPF9F40006*	Brass
7	Mounting nut	OBPF156109	Plastic

*indicate finish



PFWSCM1M1097



Warranty and Codes

This product comes complete with installation, operating, care and maintenance instructions. This PROFLO faucet carries a limited lifetime warranty when installed in residential applications. The warranty is five years in commercial applications. Certified to ASME A112.18.1.

*Compliant with lead content requirements of California AB1953

