

PFWSC4757 SINGLE HANDLE LAVATORY FAUCET



Product Features

- Max. flow rate: 1.2 gpm (4.54 L/min) at 60 psi
- Metal handle
- Ceramic disc cartridge
- Brass pop-up drain assembly
- Requires 3-hole sink with 4" on-center

Optional Parts

Drain lift rod extension	PF351NA
0.5 GPM aerator	OBPF530224
1.0 GPM aerator	OBPF514321

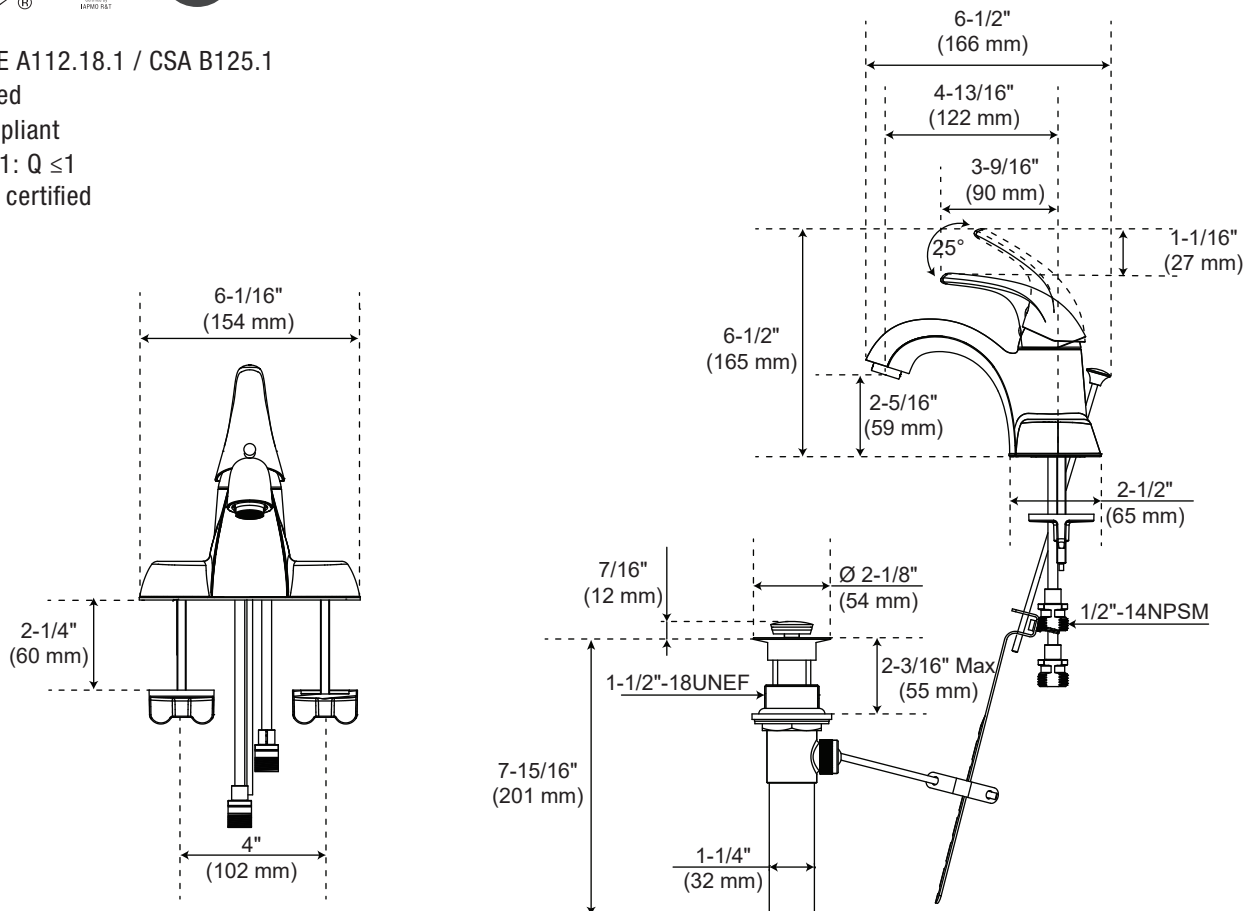


Codes and Certifications

PFWSC4757



- Certified to ASME A112.18.1 / CSA B125.1
- cUPC/IAPMO listed
- Handle ADA compliant
- NSF/ANSI/CAN 61: Q ≤ 1
- EPA WaterSense certified



For detailed warranty information, visit ferguson.com/proflo-faucet-warranty.