

# PFWSC4757

## SINGLE HANDLE LAVATORY FAUCET



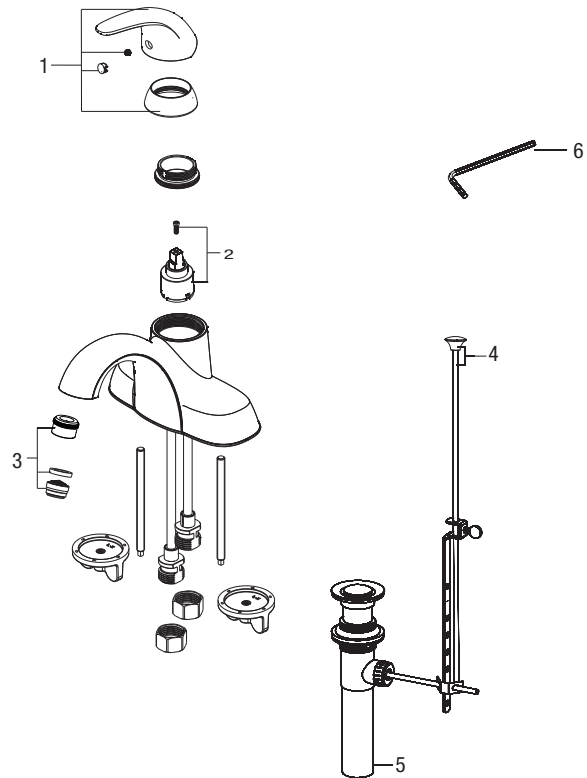
### Model Numbers

PFWSC4757CP Chrome  
 PFWSC4757ZBN Brushed nickel



PFWSC4757CP

No.	Item	Part Number	Material Type
1	Handle assembly	OBPF713240*	Zinc alloy
2	Cartridge	OBPF220045	Ceramic
3	Aerator	OBPF530211*	Brass
4	Lift rod & Lift rod knob	OBPF940152*	Steel
5	Pop-up assembly less lift rod	OBPF940001*	Brass
6	2.5mm Hex allen wrench	OBPF1RP70221	Steel



### Warranty and Codes

This product comes complete with installation, operating, care and maintenance instructions. This PROFLO faucet carries a limited lifetime warranty when installed in residential applications. The warranty is five years in commercial applications. Certified to ASME A112.18.1.

\*Compliant with lead content requirements of California AB1953

