

# PFWSC47475

## SINGLE HANDLE LAVATORY FAUCET



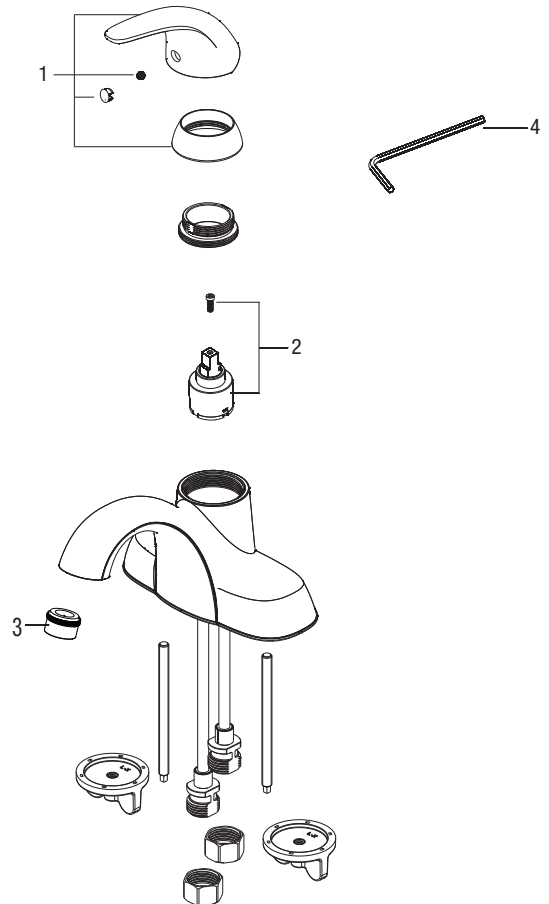
### Model Numbers

PFWSC47475CP Chrome

No.	Item	Part Number	Material Type
1	Handle assembly	OBPF713240*	Zinc alloy
2	Cartridge	OBPF220045	Ceramic
3	Aerator	OBPF530224*	Brass
4	2.5mm Hex allen wrench	OBPF1RP70221	Steel



PFWSC47475CP



### Warranty and Codes

This product comes complete with installation, operating, care and maintenance instructions. This PROFLO faucet carries a limited lifetime warranty when installed in residential applications. The warranty is five years in commercial applications. Certified to ASME A112.18.1.

\*Compliant with lead content requirements of California AB1953

NSF/ANSI/CAN372  
NSF/ANSI/CAN 61-9 Qc1

