

PFWSC3857

BOTHWELL SINGLE HANDLE LAVATORY FAUCET



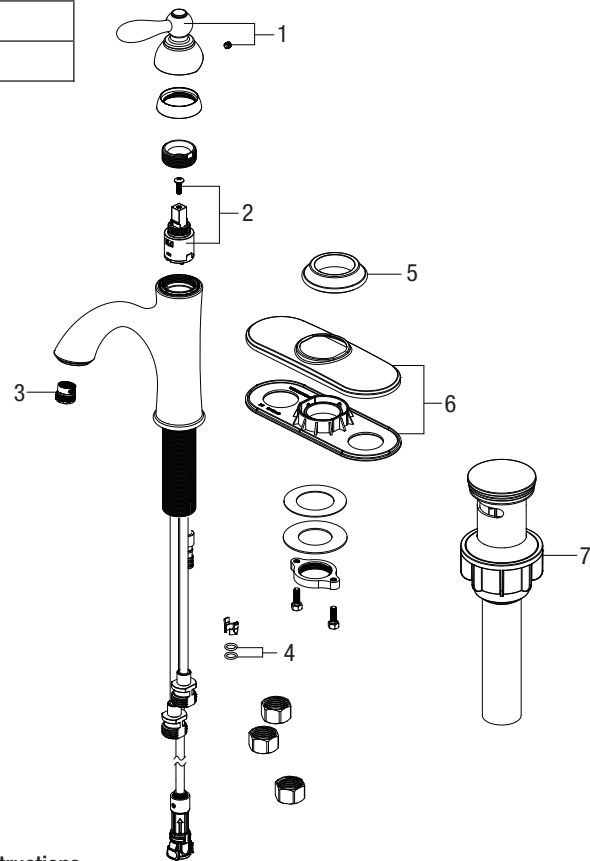
Model Numbers

PFWSC3857CP	Chrome
PFWSC3857ZBN	Brushed nickel
PFWSC3857ORB	Oil rubbed bronze

No.	Item	Part Number	Material Type
1	Handle	OBPF7F13040*	Zinc
2	Cartridge & Screw	OBPF220102	Steel
3	Aerator	OBPF530187	ABS
4	O-ring	OBPF60024	NBR
5	Flange	OBPF1F80035*	ABS
6	Escutcheon	OBPF1F80034*	Steel
7	Press pop-up assembly	OBPF940269*	ABS



PFWSC3857CP



Warranty and Codes

This product comes complete with installation, operating, care and maintenance instructions. This PROFLO faucet carries a limited lifetime warranty when installed in residential applications. The warranty is five years in commercial applications. Certified to ASME A112.18.1.

*Compliant with lead content requirements of California AB1953

