

SPEC

PFWSC30075

SINGLE HANDLE LAVATORY FAUCET



Product Features

- Ceramic disc cartridge
- Metal handle
- 3-hole 4" on-center installation
- Flow rate: 0.5 gpm at 60 psi
- Without pop-up drain
- ADA compliant
- cUPC/IAPMO listed
- NSF/ANSI/CAN61: Q ≤ 1
- Certified to ASME A112.18.1 / CSA B125.1

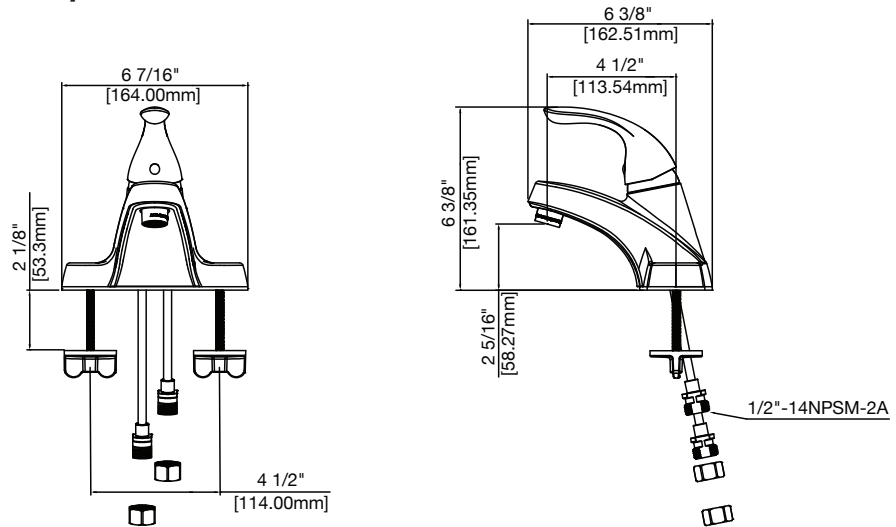


PFWSC30075CP

Model Numbers

PFWSC30075CP Chrome

Product Specifications



Warranty and Codes

This product comes complete with installation, operating, care and maintenance instructions. This PROFLO faucet carries a limited lifetime warranty when installed in residential applications. The warranty is five years in commercial applications.

*Compliant with lead content requirements of California AB 1953.



FERGUSON.COM/PROFLO