

PFWSC30075

SINGLE HANDLE LAVATORY FAUCET



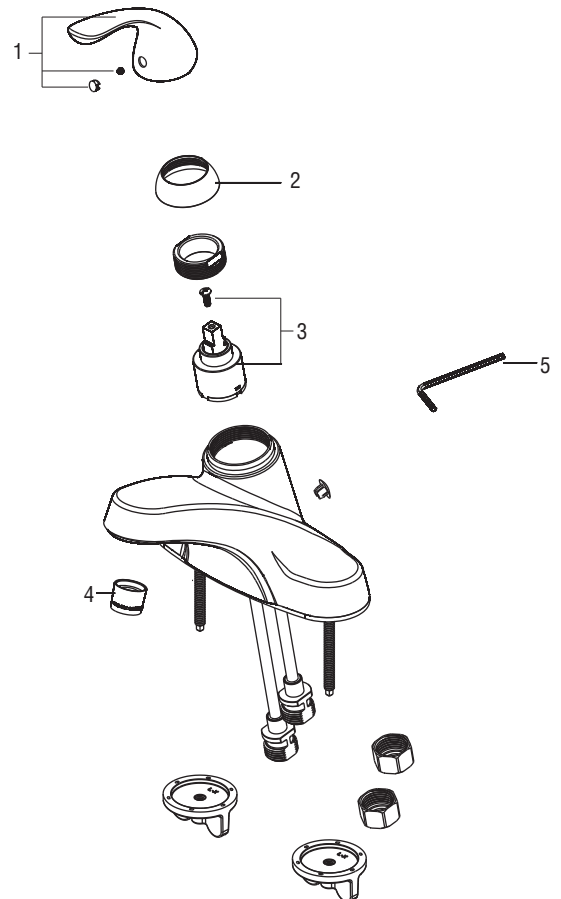
Model Numbers

PFWSC30075CP Chrome

| No. | Item | Part Number | Material Type |
|-----|------------------------|--------------|---------------|
| 1 | Handle | OBPF713060* | Zinc alloy |
| 2 | Cap | OBPF780109* | ABS |
| 3 | Cartridge | OBPF220094 | Cramic |
| 4 | Aerator | OBPF530223* | Brass |
| 5 | 2.5mm Hex allen wrench | OBPF1RP70221 | Steel |



PFWSC30075CP



Warranty and Codes

This product comes complete with installation, operating, care and maintenance instructions. This PROFLO faucet carries a limited lifetime warranty when installed in residential applications. The warranty is five years in commercial applications. Certified to ASME A112.18.1. *Compliant with lead content requirements of California AB1953

