

PFWSCM1M1157

NASON Single Handle Lavatory Faucet



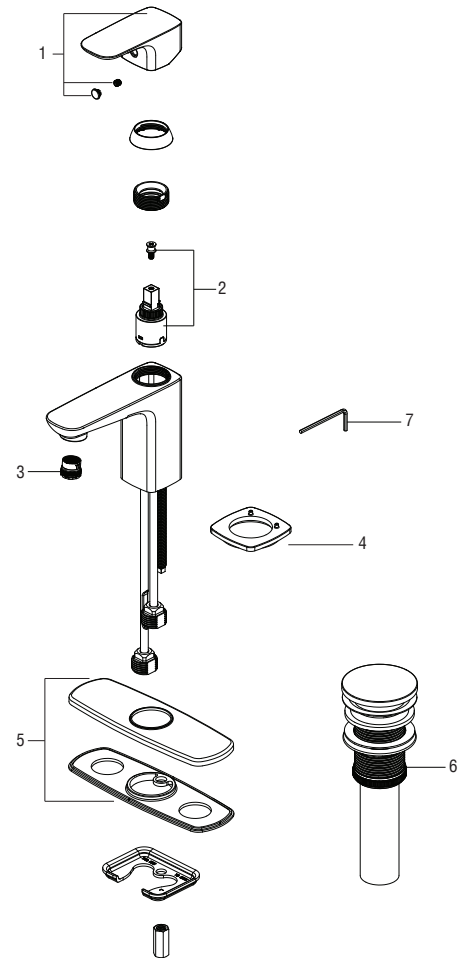
Model Numbers

PFWSCM1M1157 Chrome
 PFWSCM1M1157ZBN Brushed nickel

No.	Item	Part Number	Material Type
1	Handle	OBPF713317*	Zinc Alloy
2	Cartridge	OBPF220081	Ceramic
3	Aerator	OBPF530187	Plastic
4	Flange	OBPF180391*	Zinc Alloy
5	Escutcheon	OBPF180392*	Zinc Alloy
6	Press Pop-up Assembly	OBPF940196*	Brass
7	2.5mm Hex allen wrench	OBPF1RP70221	Steel



PFWSCM1M1157



Warranty and Codes

This product comes complete with installation, operating, care and maintenance instructions. This PROFLO faucet carries a limited lifetime warranty when installed in residential applications. The warranty is five years in commercial applications. Certified to ASME A112.18.1.

*Compliant with lead content requirements of California AB1953

