



PFWSC8852

ORRS Single Handle Lavatory Faucet

Model Numbers

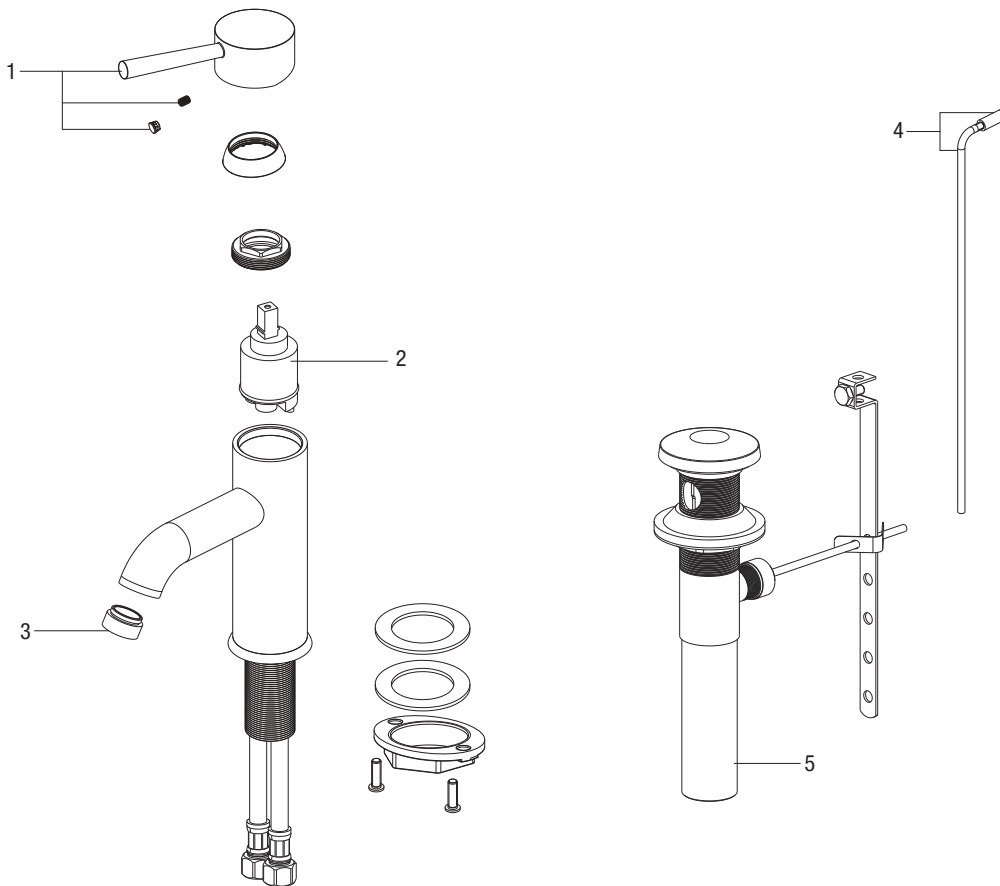
- PFWSC8852CP** Chrome
- PFWSC8852ZBN** PVD brushed nickel
- PFWSC8852MB** Matte black



PFWSC8852CP

No.	Item	Part Number	Material Type
1	Handle	OBPF75Y0315900*	Zinc Alloy
2	Cartridge	OBPF25D0005300PLO	Plastic
3	Aerator	OBPF55E0003800PLO	Plastic
4	Lift Rod	OBPF95Y0316000*	Brass+ Stainless steel
5	Drain	OBPF95Y0M008801*	Brass

* Specify Finish



Warranty and Codes

This product comes complete with installation, operating, care and maintenance instructions. This PROFLO faucet carries a limited lifetime warranty when installed in residential applications. The warranty is five years in commercial applications. This product meets ASME: A112.18.1. Compliant with lead content requirements of US Senate Bill S.3874.

