

Specifications

PFST102WH – Kaden Touchless Series

High-Efficiency Toilet with Sensor Flush Technology



Product Features

- Includes tank, bowl and sensor flush kit
- Sensor kit allows for touchless flush
- Sensor puck works up to 15 feet away from the toilet
- 1.28 GPF HET, High-Efficiency Toilet
- 16-1/2" bowl height
- Elongated bowl
- Gravity-fed, jetted-box rim
- Color-matched push button on front of tank
- Sanitary bar
- Seat and supply not included
- Batteries not included. Requires 4AA and 3AAA batteries.

Codes and Standards

- ADA
- ASME A112.19.2
- CSA B45.1
- IAPMO/cUPC
- EPA WaterSense

Model Number

PFST102WH 2-Piece elongated toilet, white



PFST102WH

Warranty and Codes

This product comes complete with installation, operating, care and maintenance instructions. This PROFLO toilet carries a 5-year limited warranty on the tank fittings and a limited lifetime warranty on the porcelain. In an effort to continually improve our products, we will make design changes from time to time. We reserve the right to ship newly designed product to fill any order unless we agree in writing to do otherwise.



FERGUSON.COM/PROFLO

Specifications

PFST102WH – Kaden Touchless Series

High-Efficiency Toilet with Sensor Flush Technology

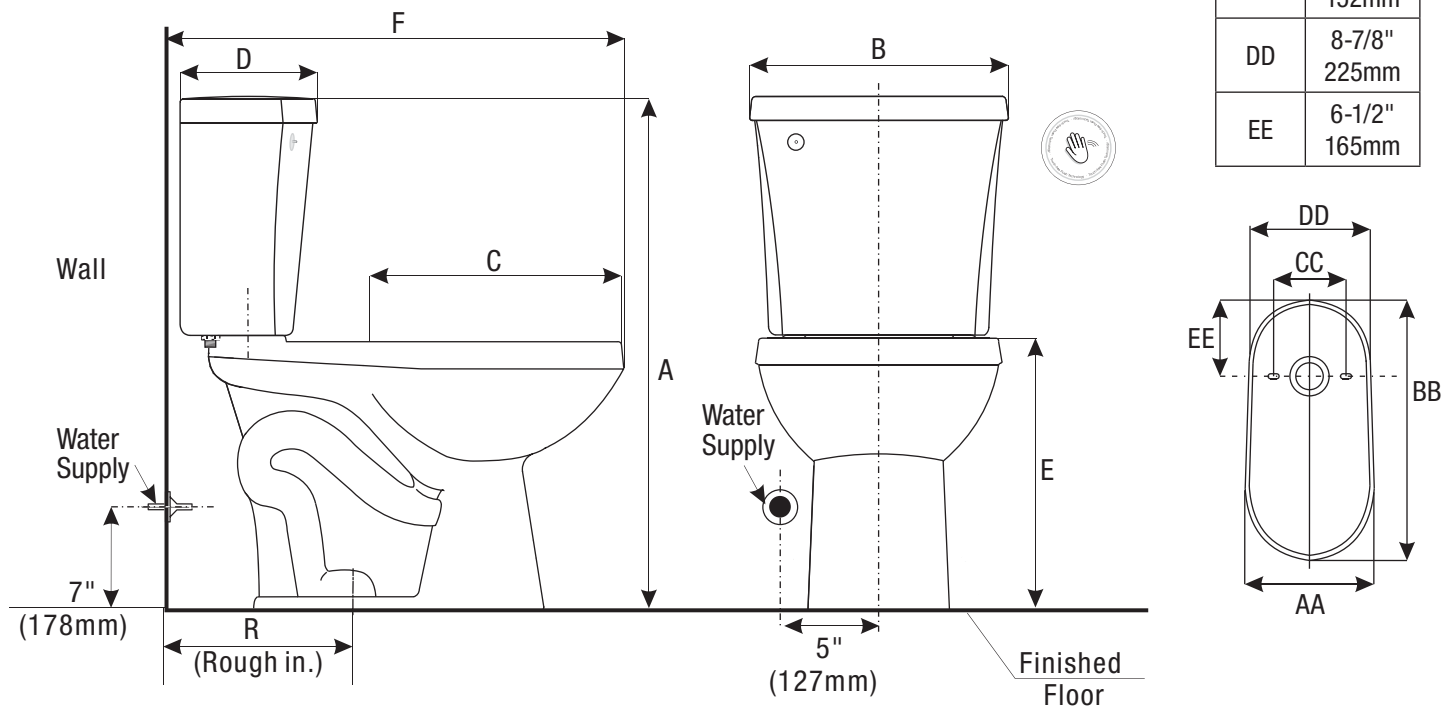


Product Dimensions

Combination		Bowl			Tank	
A	B	C	D	E	F	R
31-1/4" 793mm	15-1/4" 388mm	18-12" 470mm	8" 202mm	16-1/4" 413mm	30-1/2" 775mm	12" 305mm

Footprint Dimensions

Bowl	0615
AA	9-1/4" 235mm
BB	18-1/2" 470mm
CC	6" 152mm
DD	8-7/8" 225mm
EE	6-1/2" 165mm



NOTE: All dimensions and specifications are nominal and may vary: Dimensions of 8" and greater have a tolerances of +3%. Dimensions less than 8" have a tolerances of +5%.

