

Specifications

PFTS38-KELPER

Diverter Tub Spout

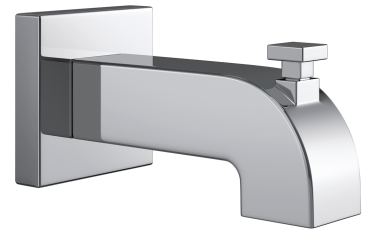


Product Features

- With slip fit tub spout
- Meets: ASME A112.18.1 / CSA B125.1
- cUPC/IAPMO listed

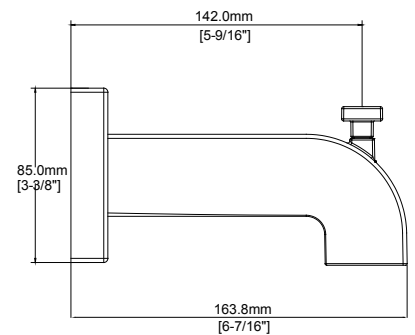
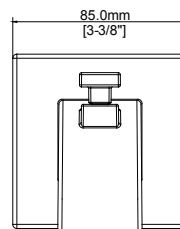
Model Numbers

PFTS38CP	Chrome
PFTS38ZBN	Brushed nickel
PFTS38MB	Matte black



PFTS38CP

Product Specifications



Warranty and Codes

This product comes complete with installation, operating, care and maintenance instructions. This PROFLO faucet carries a limited lifetime warranty when installed in residential applications. The warranty is five years in commercial applications. This product meets ANSI: A112.18.1M.

