

Jerritt - PROPFJRC412MWH

## Two-Piece Elongated Bowl Toilet



### Product Features

- PROPFJRC412MWH consists of PF1403TWH (bowl) and PF5112WHM (tank)
- 1.6 GPF
- Gravity-fed siphon jet flush
- Vitreous china
- 17" Elongated ADA bowl
- Rough-in: 12"
- Flush valve: 2"
- Trapway: 2" fully glazed
- Water spot: 7" x 6"
- Front-mounted color match trip lever
- Sanitary bar on bowl for easy cleaning
- Quick connect, two-bolt tank-to-bowl installation

### Optional Accessories/Available Parts

- PF5112FLPK** Fill Valve Assembly  
**PF5112FVPK** Flush Valve Assembly  
**PF5112TLCPPK** Chrome Flush Lever

### Codes and Certifications



- IAPMO/cUPC
- ASME A112.19.2 / CSA B45.1
- MaP Rated 1000g
- Meets ADA guidelines



Available Colors: White (WH)

#### Tank

**PF5112WHM** 12" Rough-in Tank

#### Bowl

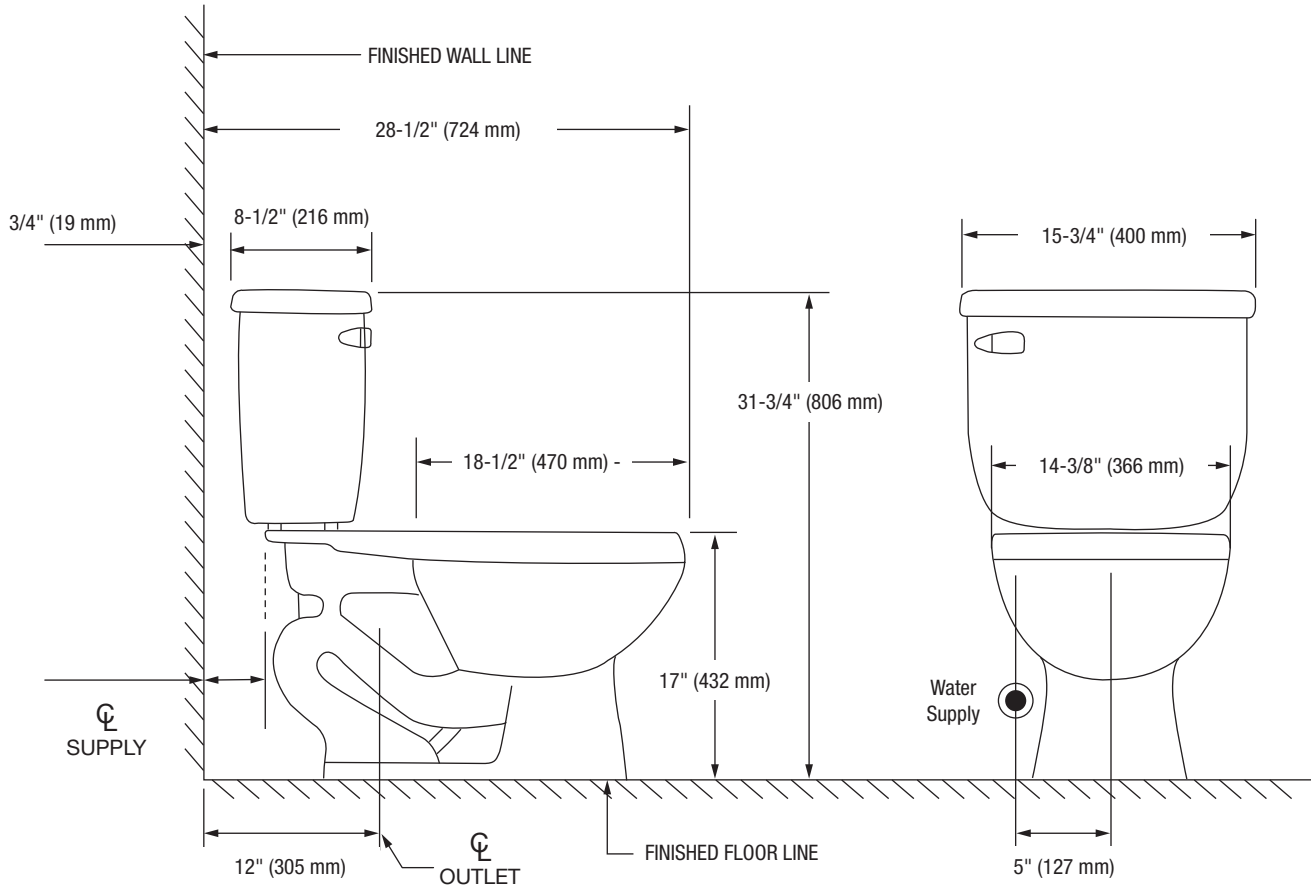
**PF1403TWH** Elongated ADA Bowl - 17"

This product comes complete with installation, operating, care and maintenance instructions. All PROFLO fixtures carry a lifetime limited warranty on the vitreous china and a 5-year limited warranty on the fittings. **Visit [ferguson.com](http://ferguson.com)** for detailed warranty information.

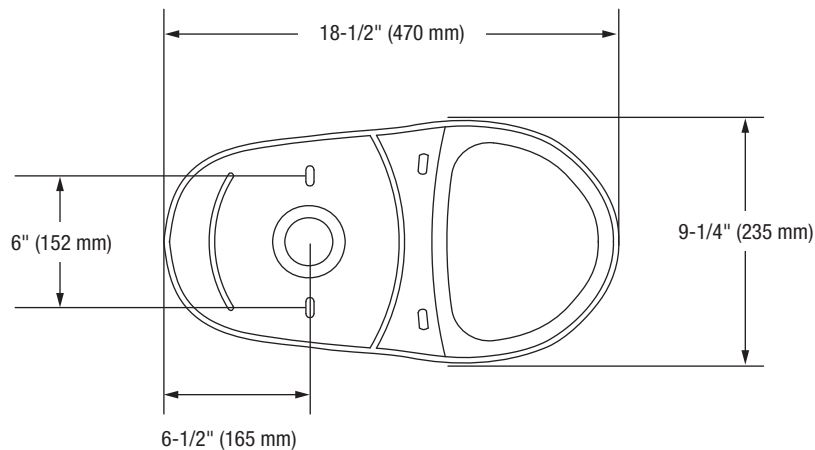


Jerritt - PROPFJRC412MWH

# Two-Piece Elongated Bowl Toilet



## Bowl Footprint Dimensions



Note: All dimensions and specifications are nominal and may vary: Dimensions of 8" and greater have a tolerances of +3%. Dimensions less than 8" have a tolerances of +5%.