



PFWSC8881 ORRS SINGLE HANDLE LAVATORY FAUCET

Model Numbers:

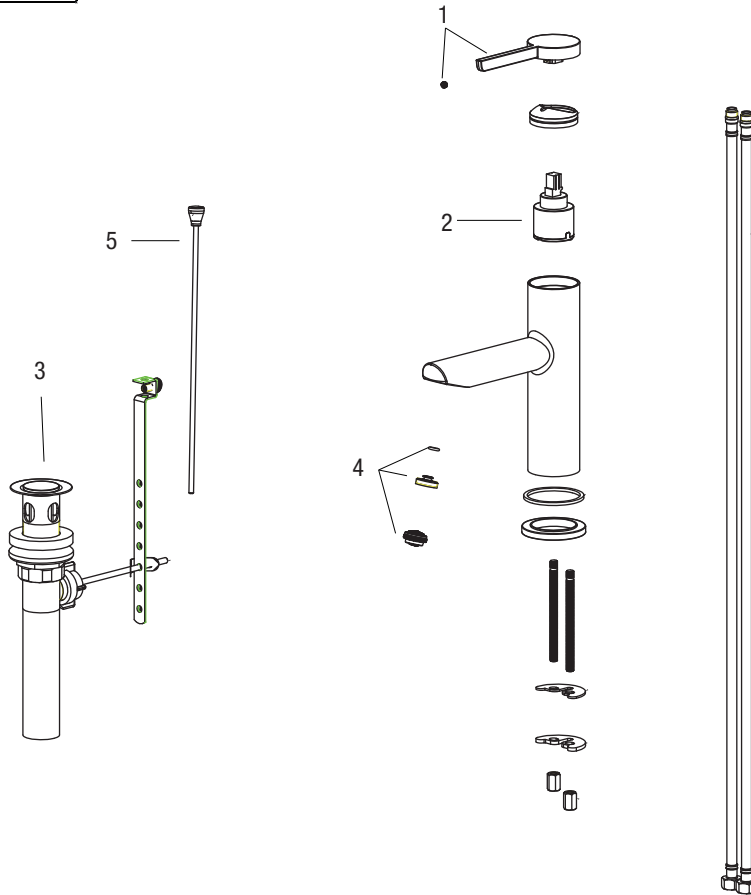
- PFWSC8881CP Chrome
- PFWSC8881ZBN Brushed nickel
- PFWSC8881MB Matte black

No.	Item	Part Number	Material Type
1	Handle	OBPF7QHZ0687FE*	Zinc Alloy
2	Cartridge	OBPF2QBA0196XXFE	Plastic
3	Drain	OBPF9ATAA0062*	Brass+ Plastic
4	Aerator	OBPF5QBX0087XXFE	Plastic
5	Lift & Rod	OBPF9ATBM0025*	Brass

* Specify Finish



PFWSC8881CP



Warranty and Codes

This product comes complete with installation, operating, care and maintenance instructions. This PROFLO faucet carries a limited lifetime warranty when installed in residential applications. The warranty is five years in commercial applications. This product meets ASME: A112.18.1. Compliant with lead content requirements of US Senate Bill S.3874

