

# PFMVTD38

## 3/8" THERMOSTATIC MIXING VALVE - 2 OUTLETS



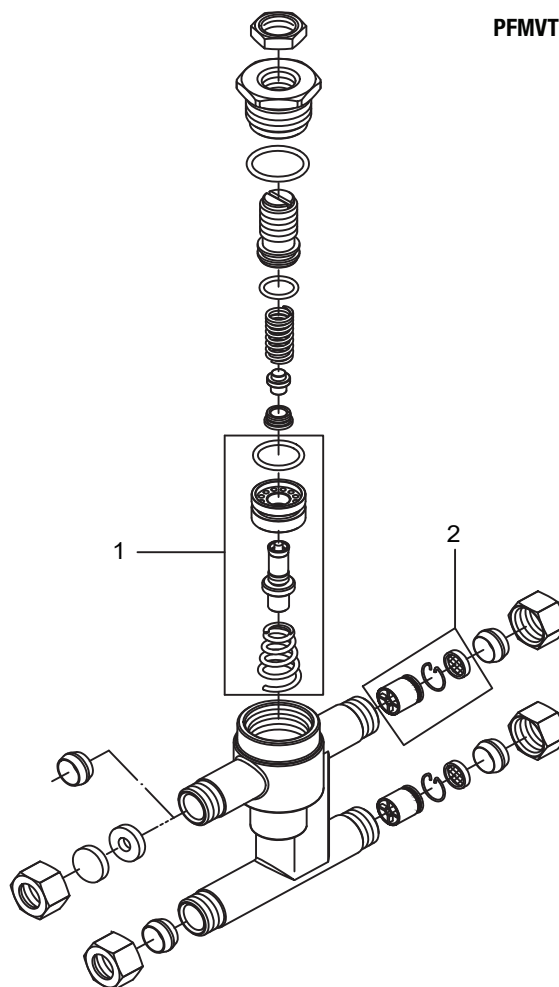
### Model Numbers

PFMVTD38

NO.	ITEM	PART NUMBER	MATERIAL TYPE
1	Temperature Sensor Kit	OBPFK382016	VITON
			Brass
			Brass
			Stainless Steel
2	Check Valve Kit	OBPFK325003	POM
			Stainless Steel
			Stainless Steel / EPDM



PFMVTD38



### Warranty and Codes

This product comes complete with installation, operating, care and maintenance instructions. This PROFLO faucet carries a limited lifetime warranty when installed in residential applications. The warranty is five years in commercial applications. This product meets ASME: A112.18.1. Compliant with lead content requirements of US Senate Bill S.3874



ASSE 1070