

PFGB Series

1-1/2" (OD)

Stainless Steel Grab Bar

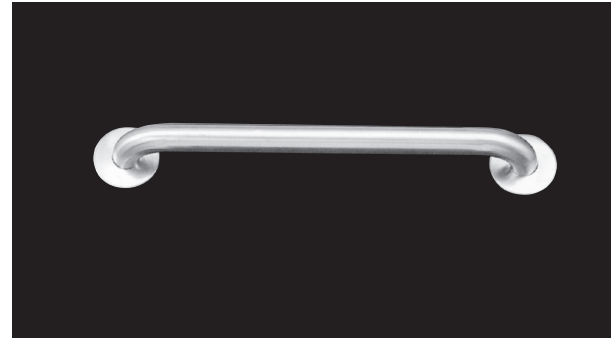


Product Features

- 1-1/2" SS grab bar w/concealed flange
- Bar-18 gauge (.048) 304 stainless steel
- Flange-14 gauge 304 stainless steel
- Screws-#10 x 2" self tapping stainless steel
- Finish-satin finish on regular grab bars (SF)
peened finish on peened grab bars (PF)
- Rated to 250 lb. test load

Recommended Accessory

WRESGBW35 WingIts Grab Bar Fastener Set of 2

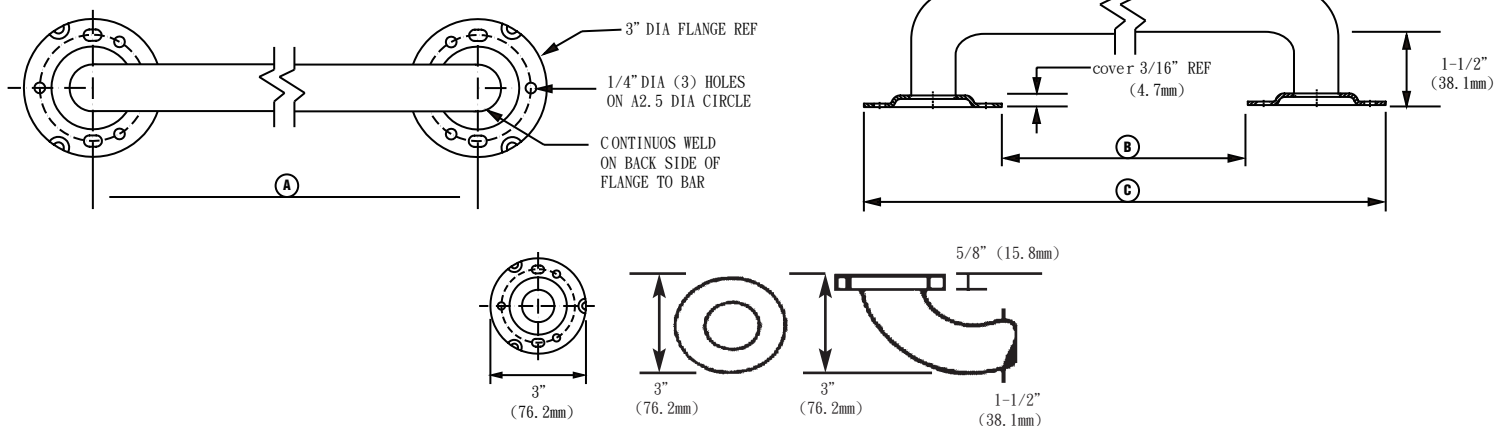


PFGB

Product Specifications

Satin Finish	Peened Finish	A	B	C
PFGB12SF2		12"	9"	15"
PFGB16SF2	PFGB16PF2	16"	13"	19"
PFGB18SF2	PFGB18PF2	18"	15"	21"
PFGB24SF2	PFGB24PF2	24"	21"	27"
PFGB30SF2	PFGB30PF2	30"	27"	33"
PFGB32SF2	PFGB32PF2	32"	29"	35"
PFGB36SF2	PFGB36PF2	36"	33"	39"
PFGB42SF2	PFGB42PF2	42"	39"	45"
PFGB48SF2		48"	45"	51"

Note: Stainless steel handle bar MUST BE attached to wall stud.



Warranty and Codes

This product comes complete with installation, operating, care and maintenance instructions. This PROFLO faucet carries a limited lifetime warranty when installed in residential applications. The warranty is five years in commercial applications.

Distributed Exclusively by Ferguson and Wolsley Canada

