

PFX472 Series

Low-Lead Cold Expansion PEX Ball Valve with Drain



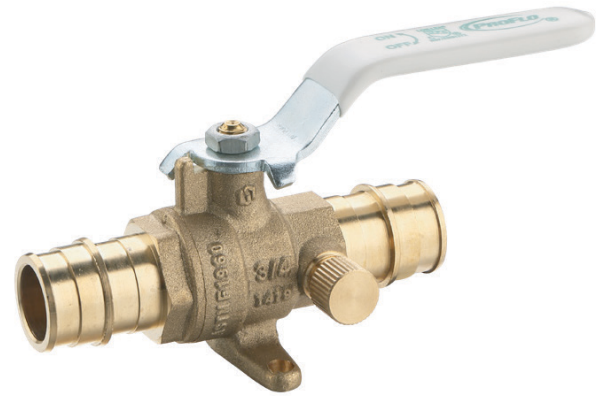
Product Features

- Full port two-piece ball valve
- 400 WOG
- Certified to NSF372 requirements
- PEX end designed to ASTM F-1960
- Not for use at or below ground level
- Operating temperature -4°F–212°F
- Body material: Dezincification-resistant brass (C46500)

Codes and Certifications



- cUPC/NSF61 compliant
- Low-lead compliant



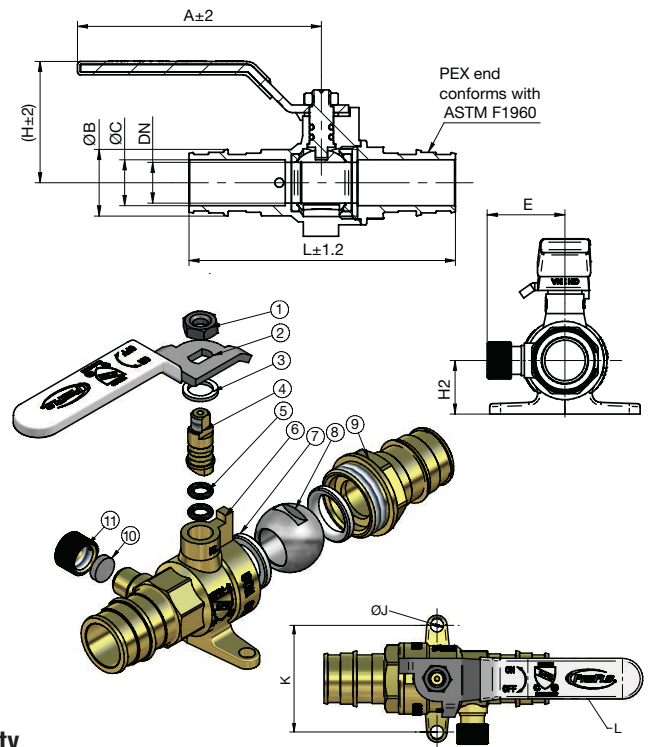
PFX472WDF

Ball Valves 1/2", 3/4", and 1" with Drain

Model No.	Description	A	H	B	C	DN	L	E	H2	J	K
PFX472WDD	LF 1/2" BRS PROPEX F1960 BV W/DRN	75	38.1	15.6	10	10	72.5	23.7	13.5	5.2	37.5
PFX472WDF	LF 3/4" BRS PROPEX F1960 BV W/DRN	80.5	39.8	22.1	15.2	13.5	88.5	25.8	17.8	5.2	42
PFX472WDG	LF 1" BRS PROPEX F1960 BV W/DRN	106	50	28.1	20.5	19	108	29.8	22.1	5.2	49

Parts

No.	Description	Material Type	Qty
1	Hex Nut	Steel	1
2	Handle	Steel	1
3	Packing Gland	PTFE	1
4	Stem	Brass	1
5	O-ring	EPDM	2
6	Body	Brass	1
7	Seat	PTFE	2
8	Ball	Brass	1
9	End Adapter	Brass	1
10	Rubber Gasket	EPDM	1
11	Plug Cap	Brass	1



For detailed warranty information, visit ferguson.com/PROFLO-1-year-warranty.