

## Specifications

### PFHS317 series

# 3 FUNCTION HAND SHOWER



#### Product Features

- Three-function massage hand shower: outer, inner, full spray
- Brass and ABS construction
- Maximum flow rate 1.8 gpm (6.8 L/min) at 80 psi
- 1/2" NPT connection
- cUPC/ WaterSense /IAPMO listed

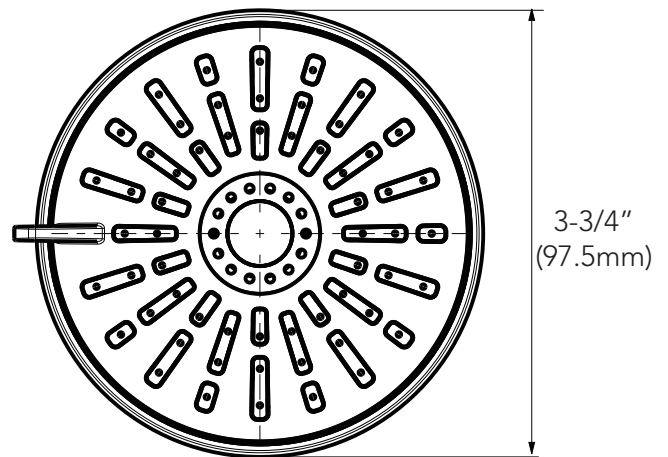
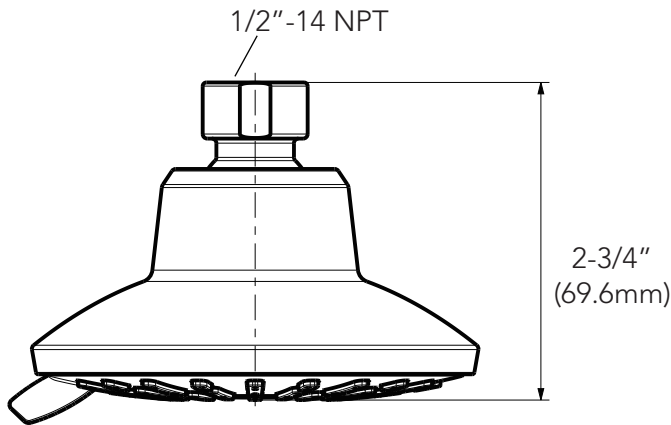
#### Model Numbers

PFSH317CP	Chrome
PFSH317ZBN	PVD brushed nickel



PFSH317CP

#### Product Specifications



\* All measurements are nominal. Please verify before actual installation.

#### Warranty and Codes

This product comes complete with installation, operating, care and maintenance instructions. This PROFLO product carries a 1-year limited warranty. This product meets ASME: A112.18.1.

