

Specifications

PFXC5811 Hopkins Pull Down Kitchen Faucet with ModernMount™ Technology



Product Features

- ModernMount™ Technology allows quicker installation
- Ceramic cartridge
- Metal lever handle
- 1 or 3 hole installation
- Optional deck plate included
- Two-function spray head: stream and spray
- Max. flow rate: 1.75 gpm (6.6 L/min) at 60 psi
- NSF 61 compliant
- ADA compliant

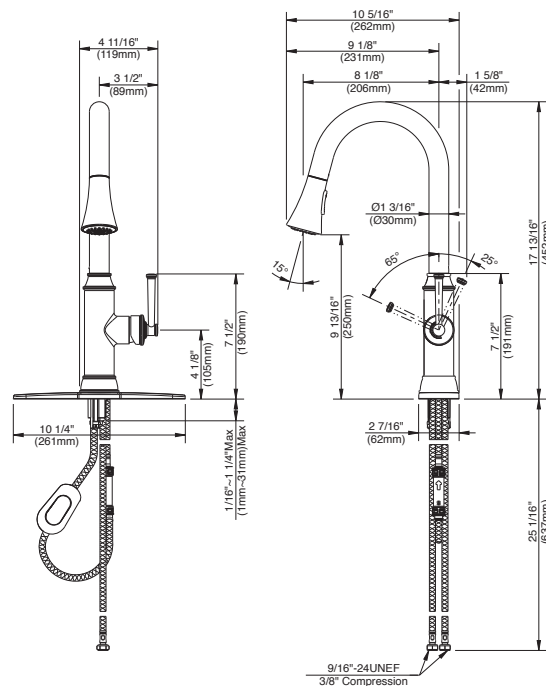


Optional Accessories / Available Parts

PFXC5811CP	Chrome
PFXC5811ZBN	PVD Brushed nickel
PFXC5811MB	Matte black

PFXC5811

Product Specifications



* All measurements are nominal. Please verify before actual installation.

Warranty and Codes

This product comes complete with installation, operating, care and maintenance instructions. This PROFLO faucet carries a limited lifetime warranty when installed in residential applications. The warranty is five years in commercial applications. Compliant with lead content requirements of California AB 1953 and Vermont S.152.

