

## Specifications

PF9412FWHC/PF9403WH – Edgehill Series

# High-Efficiency Toilet Vitreous China – 1.28 gpf



### Product Features

- Two-piece vitreous china
- 1.28 gpf high-efficiency toilet
- High-performance 3" flush valve
- 2" glazed trapway
- Gravity-fed, double-jetted box rim
- EPA WaterSense certified
- Meets ASME A112.19.2M
- 1,000g MaP
- Bowl meets CSA B651 & ADA
- 8-1/2" x 7" water surface
- Available in round, elongated and ADA
- Close coupled tank with cover
- Seat and supply not included
- Uses 20% less water than standard
- Low-consumption toilets
- Anti-siphon fill valve available
- Chrome tank lever standard



PF9412FWHC  
/PF9403WH

### Model Numbers

PF9400WH	1.28 gpf round-front bowl white
PF9401WH*	1.28 gpf elongated bowl white
PF9403WH*	1.28 gpf ADA bowl white
PF9412FWHC	1.28 gpf HET tank white w/chrome trip lever

\*Indicates bowl meets ADA height requirements

### Available Accessories

SH429CP	Chrome-plated flush lever
SH429BN	Brushed Nickel flush lever

### Warranty and Codes

This product comes complete with installation, operating, care and maintenance instructions. All PROFLO fixtures carry a lifetime limited warranty on the vitreous china and a 5-year limited warranty on the fittings. This product meets or exceeds ASME/ANSI A112.19.2M. In an effort to continually improve our products, we will make design changes from time to time. We reserve the right to ship newly designed product to fill any order unless we agree in writing to do otherwise.

### Certifications

Meets strict flushing performance guidelines established by the EPA (Environmental Protection Agency) WaterSense program. Leadership in Energy and Environmental Design (LEED) Compliant. Los Angeles Department of Water and Power (LADWP) Compliant.



# Specifications

PF9412FWHC/PF9403WH – Edgehill Series

## High-Efficiency Toilet Vitreous China – 1.28 gpf

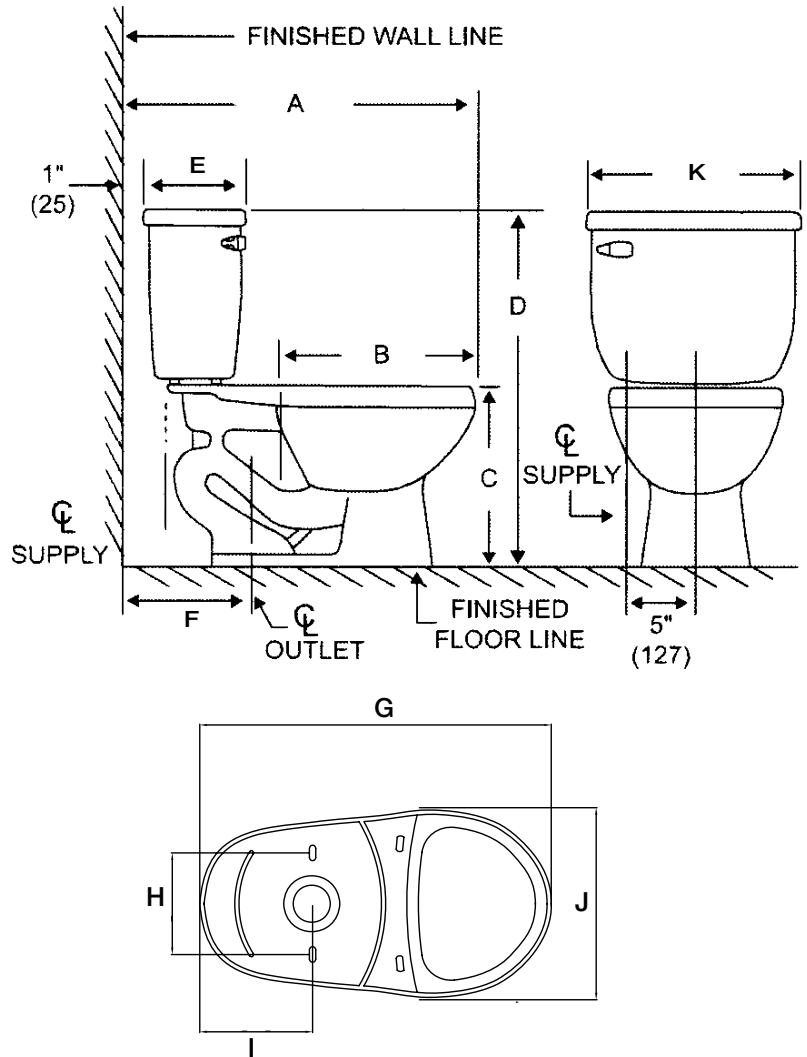


### Product Specifications

	PF9412F/PF9400	PF9412F/PF9401	PF9412F/PF9403
<b>A</b>	28"	19-1/2"	29-1/2"
<b>E</b>	8"	8"	8"
<b>F</b>	12"	12"	12"
<b>K</b>	17-1/4"	17-1/4"	17-1/4"

### Footprint

	RF PF9400	EL PF9401	ADA PF9403
<b>G</b>	19-1/2"	18-3/16"	19-1/2"
<b>H</b>	5-13/16"	5-13/16"	5-15/16"
<b>I</b>	5-13/16"	5-1/2"	6"
<b>J</b>	9-5/8"	9-1/2"	10"



Note: All dimensions and specifications are nominal and may vary. Dimensions of 8" and greater have a tolerances of +3%. Dimensions less than 8" have a tolerances of +5%.

