

## Specifications

### Pogo Series

## Two-Piece Toilet



### Product Features

- 1.28 gpf HET
- Tanks are reversible, can be installed as left hand or right hand lever
- Elongated bowl
- 16-1/2" Bowl height
- 12" Rough-in
- Two-piece vitreous china
- 2" Fully glazed trapway
- 9-1/2" x 7-1/2" Water surface
- Anti-siphon fill valve
- Gravity-fed, box rim
- Close coupled tank with cover
- Quick connect, 2-bolt tank-to-bowl installation
- White only
- 3" Flush valve
- Sanitary bar
- Includes 16" stainless steel braided supply line

### Certifications

- EPA WaterSense certified
- Meets ANSI ASME A112.19.2-2013-CSA B45.-13
- MaP rating: 1,000G

### Optional Accessories/Available Parts

- |                  |  |
|------------------|--|
| <b>PF3002WH</b>  | Elongated exposed bowl—white                         |
| <b>PF3002SWH</b> | Elongated skirted bowl—white                         |
| <b>PF3012AWH</b> | 1.28 gpf Rectangle tank with horizontal chrome lever |



**PF3012AWH/PF3002SWH**



**PF3012AWH/PF3002WH**

### Warranty and Codes

This product comes complete with installation, operating, care and maintenance instructions. This PROFLO toilet carries a 5-year limited warranty on the tank fittings and a limited lifetime warranty on the porcelain. In an effort to continually improve our products, we will make design changes from time to time. We reserve the right to ship newly designed product to fill any order unless we agree in writing to do otherwise.



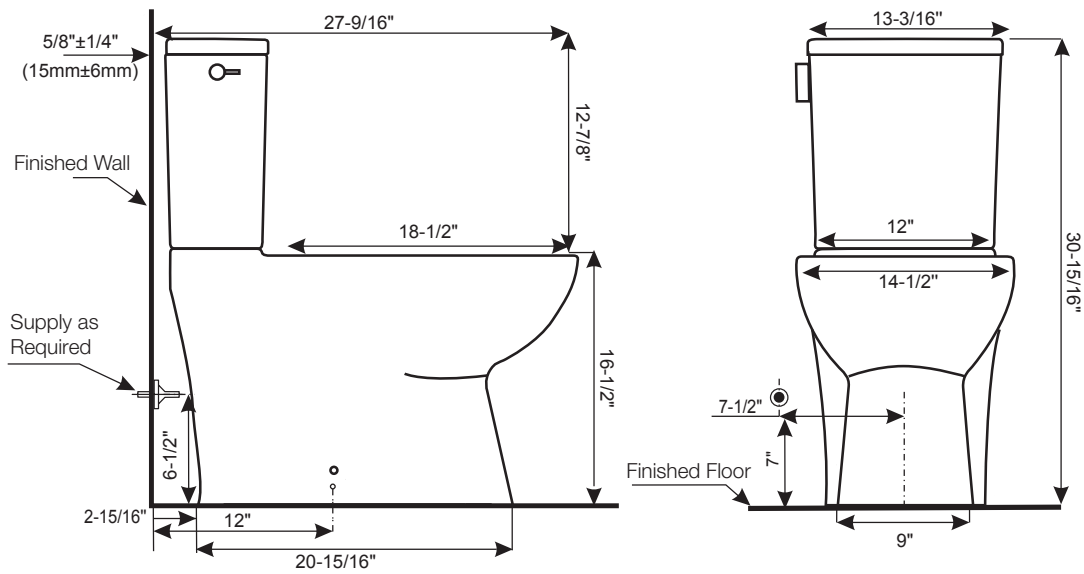
# Specifications

## Pogo Series

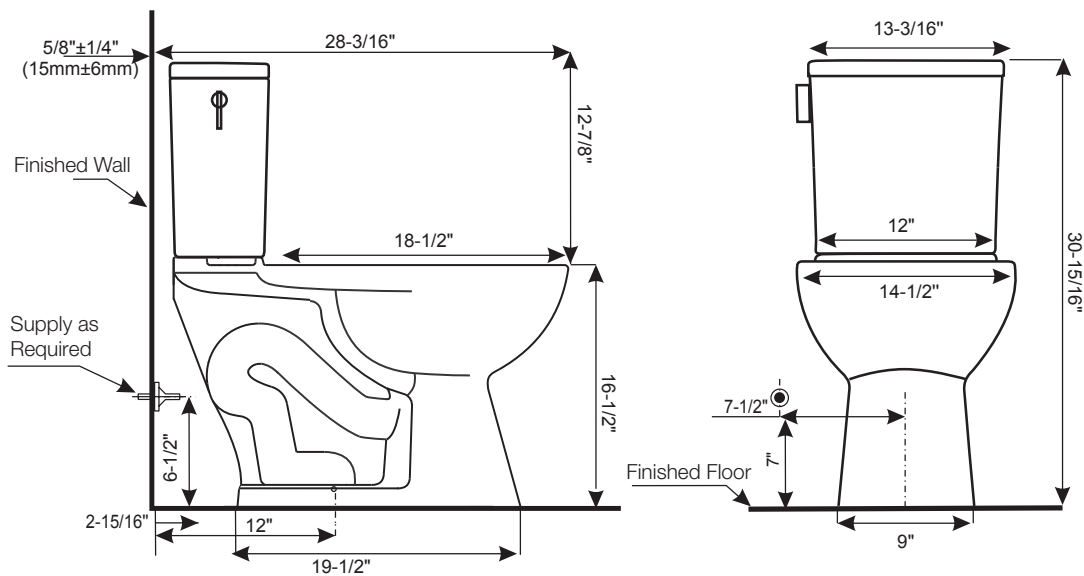
### Two-Piece Toilet



#### Product Specifications



PF3012AWH-PF3002SWH



PF3012AWH-PF3002WH

\*Note: All dimensions and specifications are nominal and may vary: Dimensions of 8" and greater have a tolerance of +3%. Dimensions less than 8" have a tolerance of +5%. Please verify before actual installation.