

SCOVIN

PFXC5552 SINGLE-HOLE PULL DOWN KITCHEN FAUCET



Product Features

- Flow rate: 1.8 gpm (6.8 L/min) at 60 psi
- Metal lever handle
- Ceramic disc cartridges
- Quick-mount system
- Single hole or 3-hole sink installation
- With 3/8" compression x 21-5/8" flexible connectors
- Two-function sprayer: stream and aerated spray

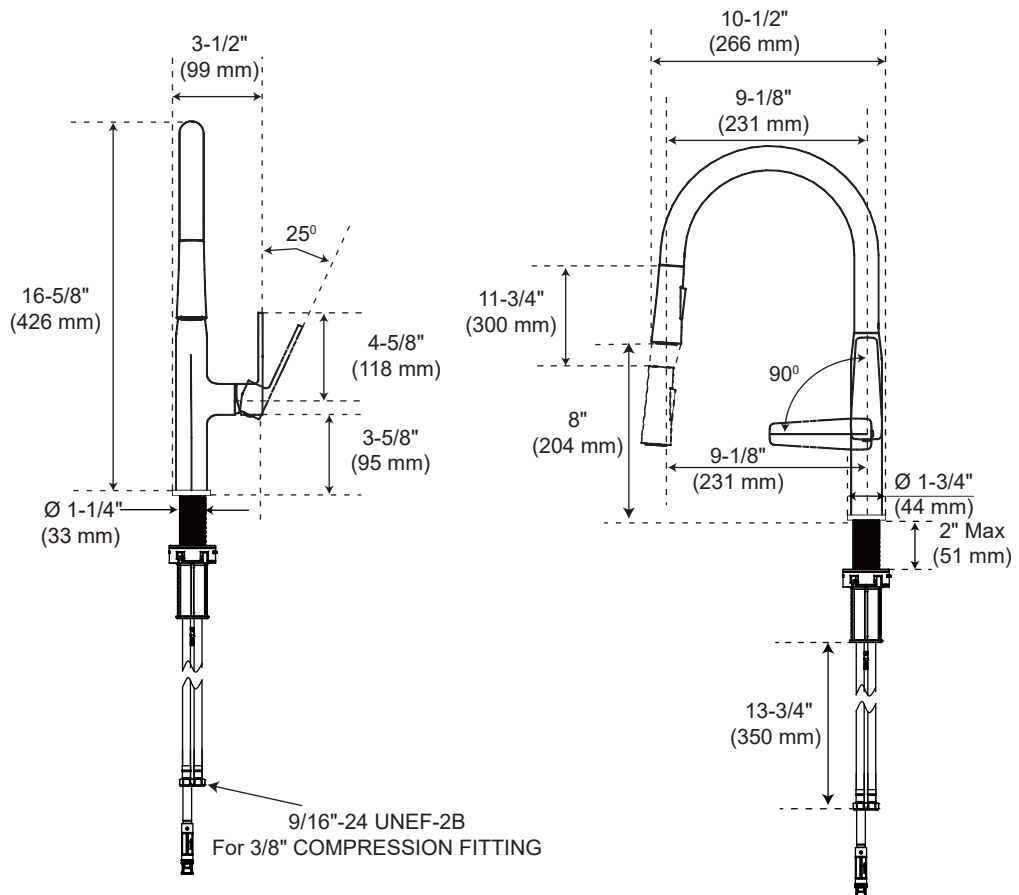
Codes and Certifications



- Certified to ASME A112.18.1 / CSA B125.1
- cUPC/IAPMO listed
- Handle ADA compliant
- NSF/ANSI/CAN 61: Q_s ≤ 1



PFXC5552



For detailed warranty information, visit ferguson.com/proflo-faucet-warranty.