

## Specifications

# PF1732WH High-Efficiency Flush Valve Bowl Wall-Mount



### Product Features

- Vitreous china
- High efficiency wall mount toilet flush valve
- Siphon jet flushing
- 1.0 gpf (3.78 lpf)—1.6 gpf (6.0 lpf)
- 1-1/2" rear inlet spud
- 9" x 8" water surface
- Uses 20% less water than standard low consumption toilets when used with high-efficiency flushometer valve
- Flush valve and seat not included



PF1732WH

### Codes & Standards

- ADA
- IAPMO/UPC
- ASME A112.19.2
- CSA
- EPA WaterSense (when used with a 1.0 gpf or 1.28 gpf WaterSense-compliant flushometer)

### Technical Information

<b>Configuration</b>	Siphon jet, rear outlet
<b>Gallons per Flush</b>	1.0 gpf (3.78 lpf)—1.6 gpf (6.0 lpf)
<b>Spud Size</b>	1-1/2" rear inlet
<b>Trapway</b>	2" fully glazed
<b>Water Area</b>	9" x 8"
<b>Seat Post Hole Centers</b>	5-1/2"

### Specified Model

Model	Model Description	Color
PF1732WH	Elongated wall-mount, rear outlet, flush valve bowl	White (WH)



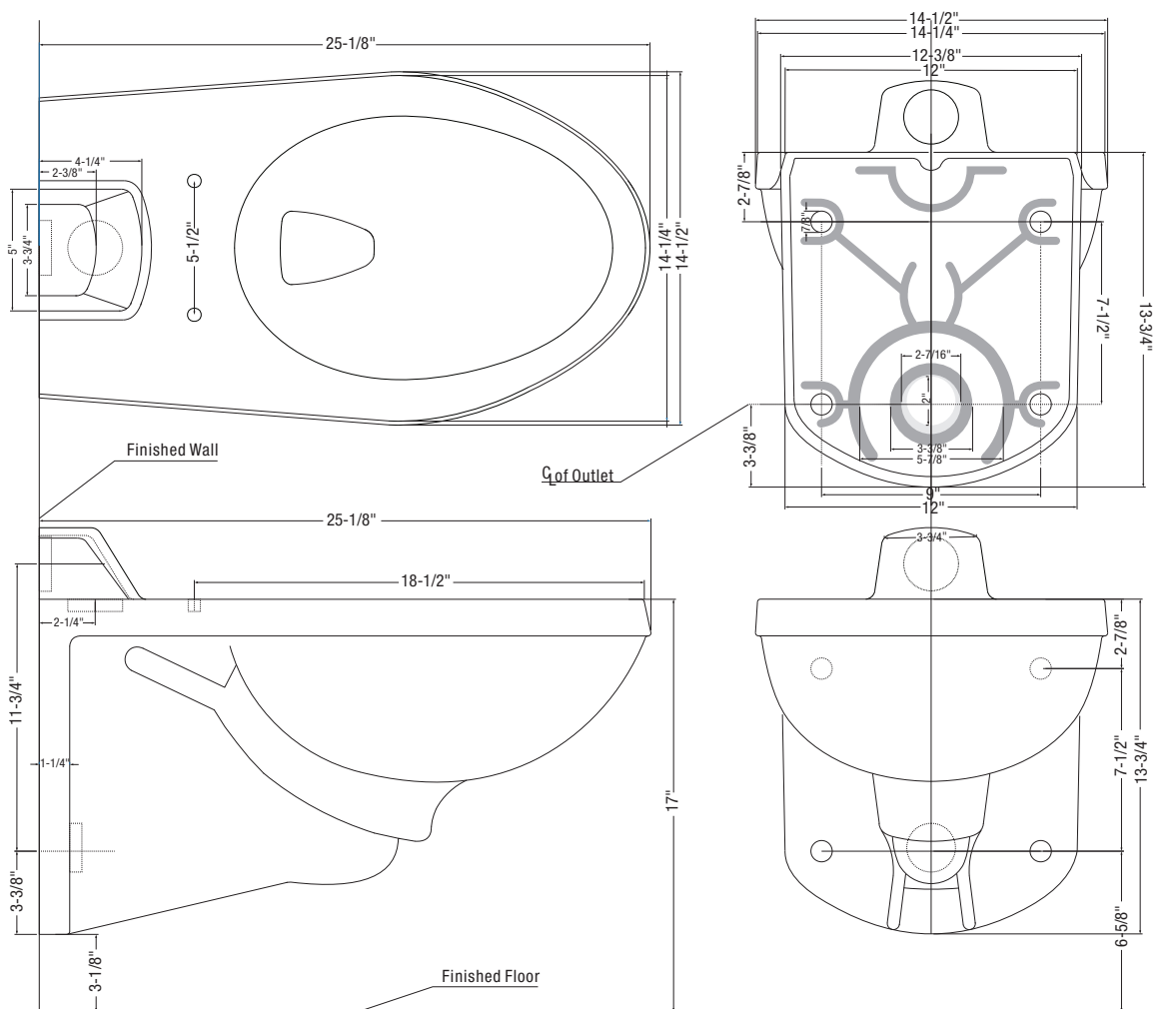
## Specifications

# PF1732WH High-Efficiency Flush Valve Bowl Wall-Mount



### Product Specifications

The elongated bowl shall be wall-mounted with 1-1/2" rear spud. Bowl shall be made of vitreous china. Bowl shall flush between 1.0 gpf (3.78 lpf)–1.6 gpf (6.0 lpf) and shall have 9" x 8" water area when paired with a high-efficiency flushometer valve. Bowl shall have 2" passageway. Bowl shall be 25-1/8" in length, 14-1/2" in width, and 13-3/4" in height. Bowl shall be PROFLO model PF1732WH.



All dimensions and specifications are nominal and may vary. Dimensions of 8" and greater have a tolerances of +3%. Dimensions less than 8" have a tolerances of +5%.

### Warranty and Codes

This product comes complete with installation, operating, care and maintenance instructions. All PROFLO fixtures carry a lifetime limited warranty on the vitreous china and a 5-year limited warranty on the fittings. This product meets or exceeds ASME/ANSI A112.19.2M. In an effort to continually improve our products, we will make design changes from time to time. We reserve the right to ship newly designed product to fill any order unless we agree in writing to do otherwise.

