



LF COMPRESSION TEE WATER HAMMER ARRESTOR

Product Features

- Helps to eliminate shock waves generated in piping systems by sudden on/off changes in flow
- In line compression tee connection
- Polypropylene piston
- AA arrestors are suitable for 1-3 fixture units
- May be installed at any angle
- To function more effectively, please install within 6 feet of the fixture the arrestor is servicing.
- Temperature range: 33°F to 180°F
- Max. working pressure: 350psi
- Meets ASSE 1010
- NSF 61& NSF 372 compliant
- cUPC/IAPMO listed

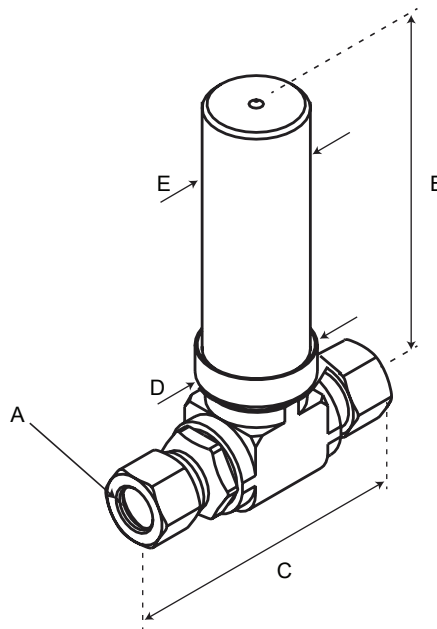


PFXWHAUTB

Model Numbers:

- PFXWHAUTB 1/4" OD Compression tee
- PFXWHAUTC 3/8" OD Compression tee
- PFXWHAUTD 5/8" OD Compression tee

Product Specifications



Model Numbers	A	B	C	D	E
PFXWHAUTB	1/4" OD Compression tee	3-15/16" (100mm)	2-1/2" (63.5mm)	15/16"(25.01mm)	7/8"(22.2mm)
PFXWHAUTC	3/8" OD Compression tee	3-15/16" (100mm)	2-1/2" (63.5mm)	15/16"(25.01mm)	7/8"(22.2mm)
PFXWHAUTD	5/8" OD Compression tee	3-15/16" (100mm)	2-3/4" (69.9mm)	15/16"(25.01mm)	7/8"(22.2mm)

* All measurements are nominal. Please verify before actual installation.

Warranty and Codes

This PROFLO product carries a 1-year limited warranty.



FERGUSON.COM/PROFLO