

# PF651PVC

## PVC FREESTANDING TUB DRAIN ROUGH-IN KIT



### Product Specifications

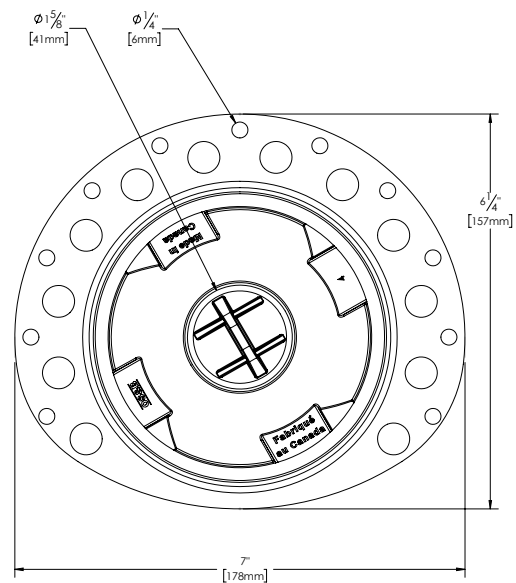
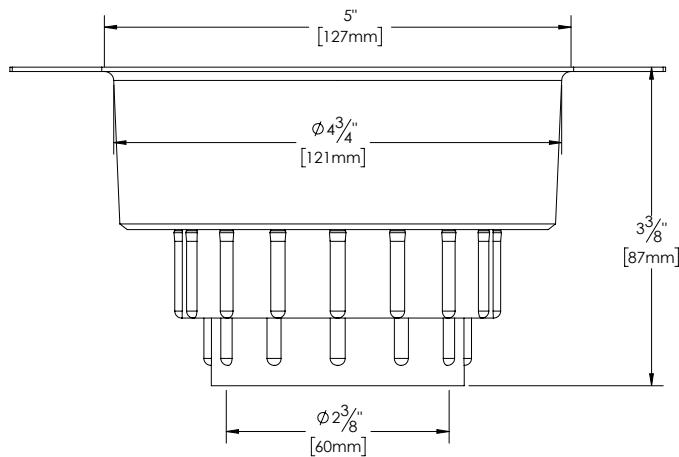
- Universally designed to fit all Freestanding bath tubs
- Assymetrical 18-gauge epoxy coated metal deck flange - makes installation in tight spaces easier
- Built-in snap off test cap - allows for water/air/smoke testing
- Low profile design allows for installation in 8" joist space or greater
- 2 X Brass Tailpieces (Fine Thread and Flanged)
- PVC Adapter Kit (attaches Rough-in to PVC Bath Wastes)
- Rough-in assembly with 1-1/2" DWV PVC Tailpiece
- 1" x 1-1/2" PVC Reducing Bushing
- Cutting Template
- Mortar/Tile Guard



PF651PVC

**NOTE:** This product is NOT FOR USE with liquid applied or sheet membranes.  
This product must be installed in a dry area with no potential of water contact.

ITEM	MATERIAL TYPE
PF651PVC	PVC



### Certification\*



\*The "cCSAus Meets UPC" mark means the product conforms to the requirements of the NPC, UPC, IPC and IRC.

Distributed Exclusively by Ferguson and Wolseley Canada  
© 2017 Ferguson Enterprises, Inc.

342876 08/19