

## Specifications

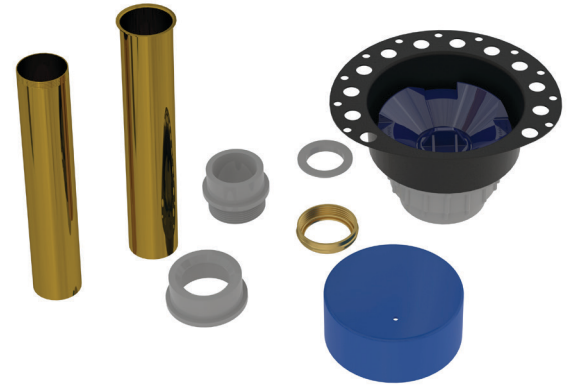
# PF651PVC PVC Freestanding Tub Drain Rough-In Kit



### Product Features

- Universally designed to fit all freestanding bath tubs
- Asymmetrical 18-gauge epoxy coated metal deck flange—makes installation in tight spaces easier
- Built-in snap-off test cap—allows for water/air/smoke testing
- Low-profile design allows for installation in 8" joist space or greater
- 2X brass tailpieces (fine thread and flanged)
- PVC adapter kit (attaches rough-in to PVC bath wastes)
- Rough-in assembly with 2" PVC DWV hub outlet
- 2" x 1-1/2" PVC hub outlet reducing bushing
- Substrate cutting template
- Mortar/Tile guard

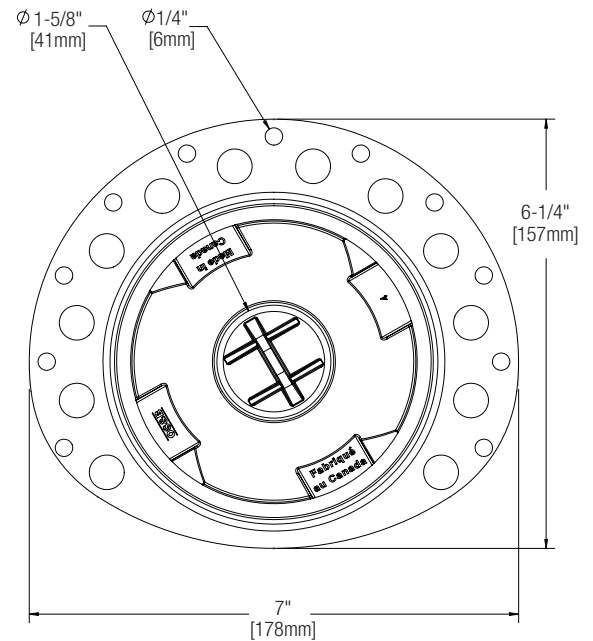
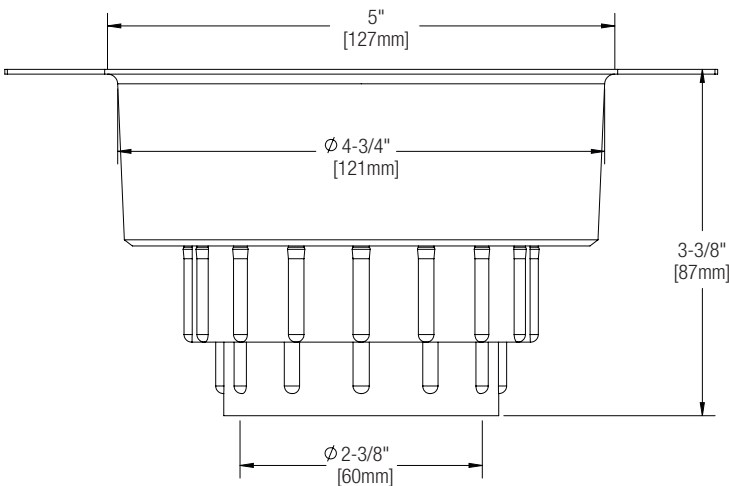
**NOTE:** This product is NOT FOR USE with liquid applied or sheet membranes. This product must be installed in a dry area with no potential of water contact.



PF651PVC

### Item/Material Type

PF651PVC PVC



### Warranty and Codes

This product comes complete with installation, operating, care and maintenance instructions. This PROFLO faucet carries a limited lifetime warranty when installed in residential applications. The warranty is five years in commercial applications. This product meets UPC.

### Certification\*

Mod# ITD35



C US

Meets UPC

File# 33062

\*The "cCSAus Meets UPC" mark means the product conforms to the requirements of the NPC, UPC, IPC and IRC.