

Specifications

PFXC6512 - Hallinan Single Handle Pull Out Kitchen Faucet



Product Features

- Ceramic cartridge
- Metal lever handle
- 1 or 3 hole installation
- Optional deck plate included
- Max. flow rate: 1.75 gpm (6.6 L/min) at 60 psi
- cUPC/IAPMO listed
- ADA compliant

Model Numbers

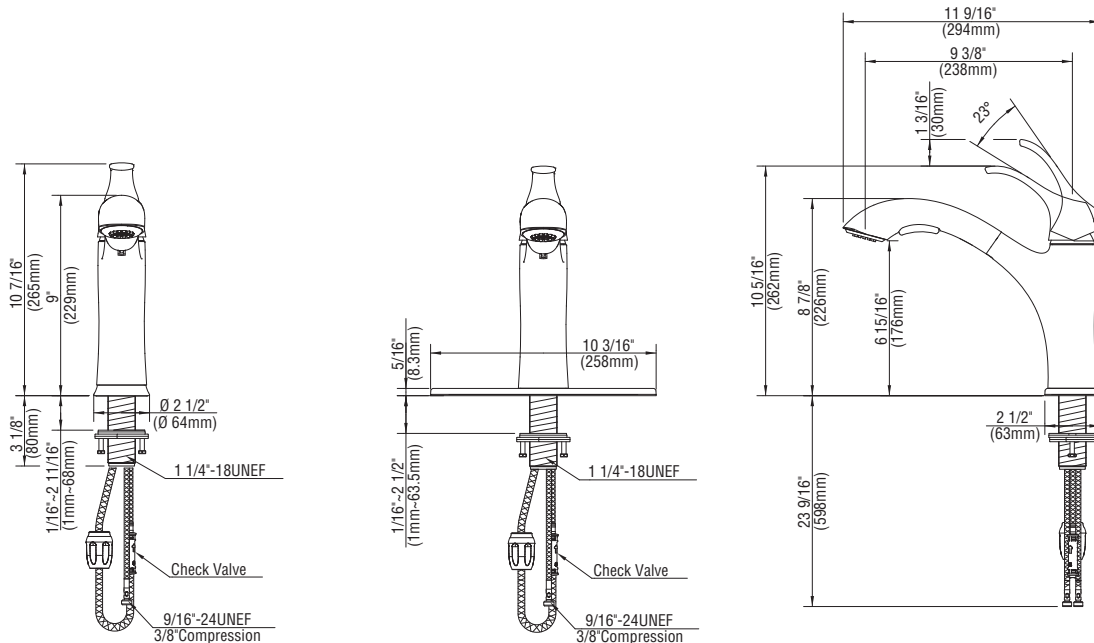
PFXC6512CP
PFXC6512ZBN

Chrome
PVD brushed nickel



PFXC6512CP

Product Specifications



*All measurements are nominal. Please verify before actual installation.

Warranty and Codes

This product comes complete with installation, operating, care and maintenance instructions. This PROFLO faucet carries a limited lifetime warranty when installed in residential applications. The warranty is five years in commercial applications. Compliant with lead content requirements of California AB 1953 and Vermont S.152.

