

PFHS210, PFHS211, PFHS212 series

5 FUNCTION MASSAGE HAND SHOWER



Product Features

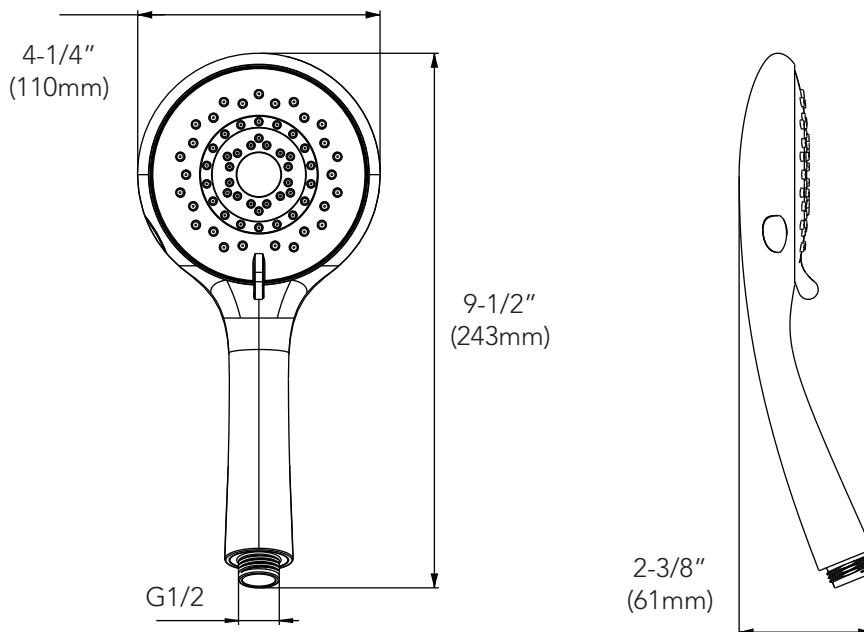
- Five-Function Massage Hand Shower: Outer, Outer + Inner, Inner+Center, Center, Full
- ABS construction
- PFHS210 Maximum flow rate 1.0 gpm (3.8 L/min) at 80 psi
- PFHS211 Maximum flow rate 1.25 gpm (4.7 L/min) at 80 psi
- PFHS212 Maximum flow rate 1.75 gpm (6.6 L/min) at 80 psi
- G1/2 connection
- cCSAus / WaterSense listed



PFHS210CP

Model Numbers	Description	Finish
PFHS210CP	1.0gpm	Chrome
PFHS210BN	1.0gpm	Brushed nickel
PFHS211CP	1.25gpm	Chrome
PFHS211BN	1.25gpm	Brushed nickel
PFHS212CP	1.75gpm	Chrome
PFHS212BN	1.75gpm	Brushed nickel

Product Specifications



Warranty and Codes

This PROFLO product carries a limited lifetime warranty in residential applications. Warranty is 5 years in commercial applications. This product meets ASME: A112.18.1 / CSA: B125.1.

