

PF1081WH
PF1181WH/PF1184WH
Pedestal Lavatory
Kenai Series



Product Features

- Fireclay construction
- 22-7/8" x 18-1/2" x 33-1/2" pedestal lavatory
- Available with single and 4" faucet drillings
- Rear overflow
- Mounting bracket and hardware included
- White

Model Numbers

PF1081WH	28-3/4" pedestal base
PF1181WH	22-7/8" x 18-1/2" single hole, pedestal lavatory
PF1184WH	22-7/8" x 18-1/2" 3 hole, 4" centerset pedestal lavatory



PF1081WH / PF1181WH

Warranty and Codes

These products come complete with installation, operating, care and maintenance instructions. This PROFLO fixture carries a limited lifetime warranty. In an effort to continually improve our products, Ferguson will make design changes from time to time. We reserve the right to ship newly designed product to fill any order unless we agree in writing to do otherwise. This product meets or exceeds ASME A112.19.2/CSA B45.1.



PF1081WH
PF1181WH/PF1184WH
Pedestal Lavatory
Kenai Series



Product Features

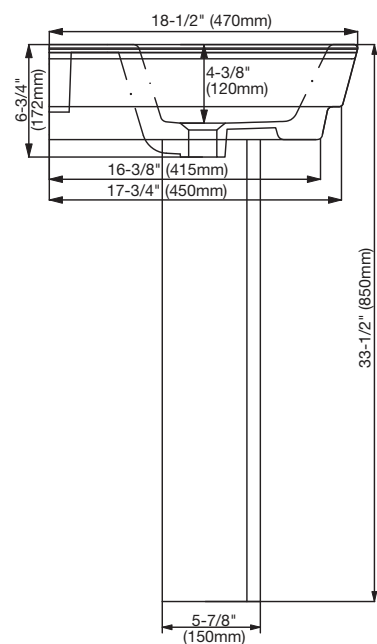
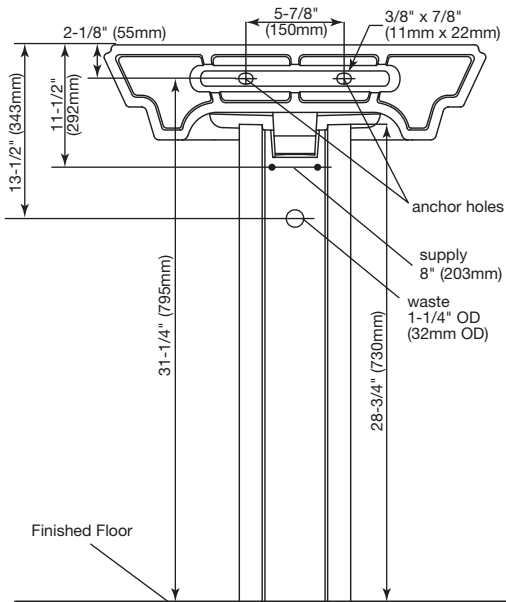
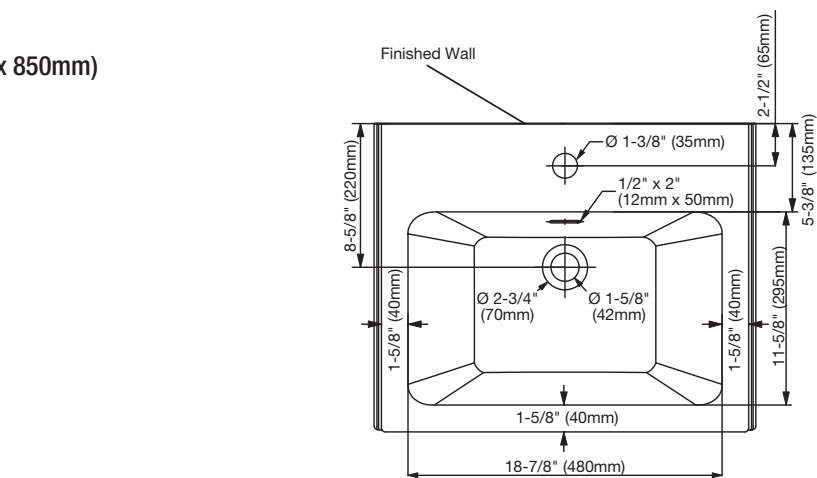
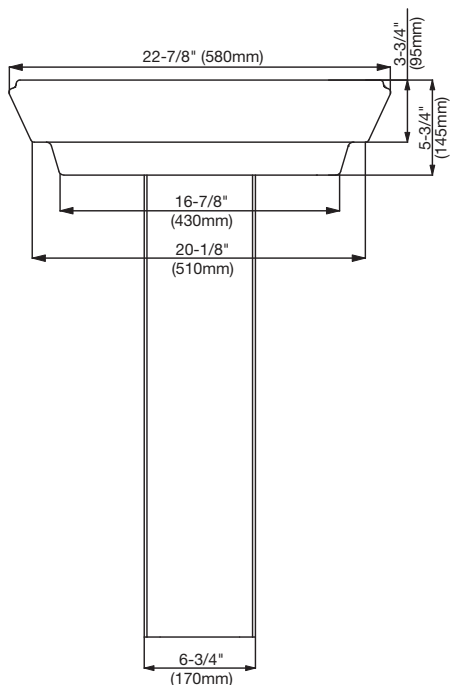
The pedestal lavatory shall be 22-7/8" x 18-1/2" x 33-1/2". Lavatory shall be made of vitreous china. Lavatory shall have single center (PF1181WH), or 4" centers (PF1184WH). Lavatory shall include rear overflow.

Nominal Dimensions:

22-7/8" x 18-1/2" x 33-1/2" (580mm x 470mm x 850mm)

Bowl Size:

18-7/8" (480mm) wide
 11-5/8" (295mm) front to back
 4-3/4" (120mm) deep



Note: Dimensions shown for location of supplies and waste are suggested.