

PFXCM1M214 Transitional PULL DOWN KITCHEN FAUCET



Product Features

- Max. flow rate: 1.75 gpm (6.6L/min) at 60 psi
- Metal handle
- Ceramic Disc Cartridges
- Deck plate included
- With 3/8" compression x 24 -5/8" flexible connectors

Optional Parts

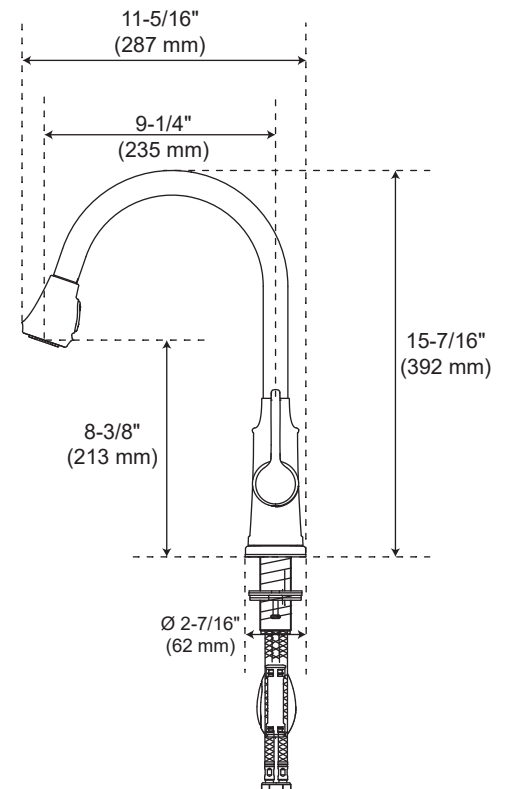
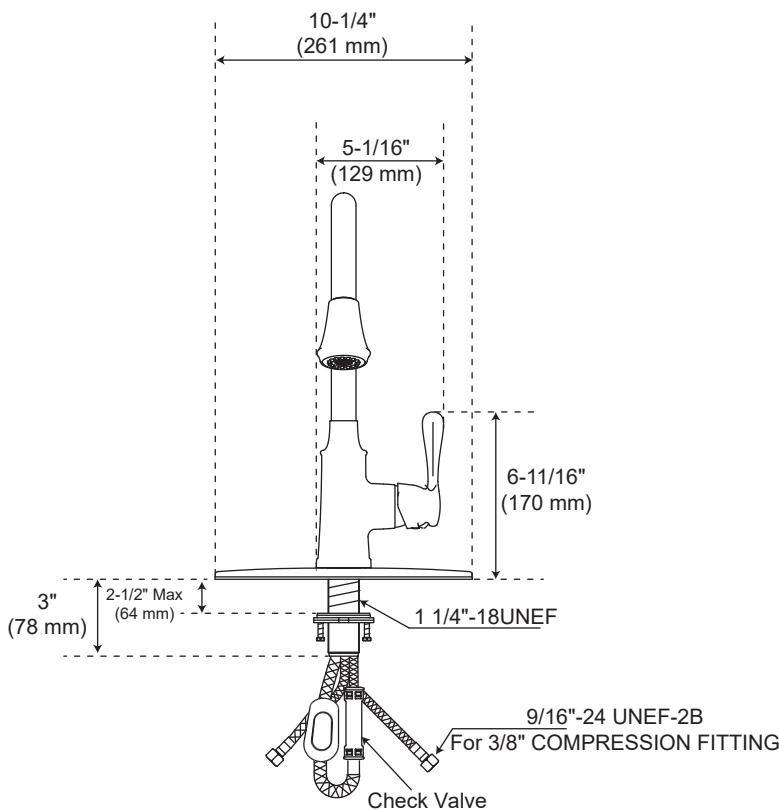
Codes and Certifications



- Certified to ASME A112.18.1 / CSA B125.1
- cUPC/IAPMO listed
- Handle ADA compliant
- NSF/ANSI/CAN 61



PFXCM1M214



For detailed warranty information, visit ferguson.com/proflo-faucet-warranty.